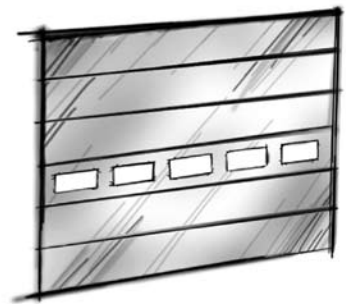
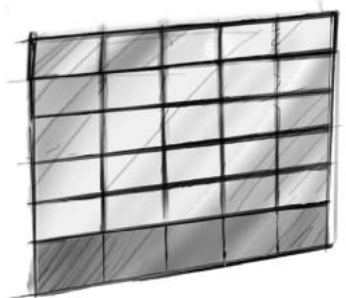


T 240 & T 340



I S O

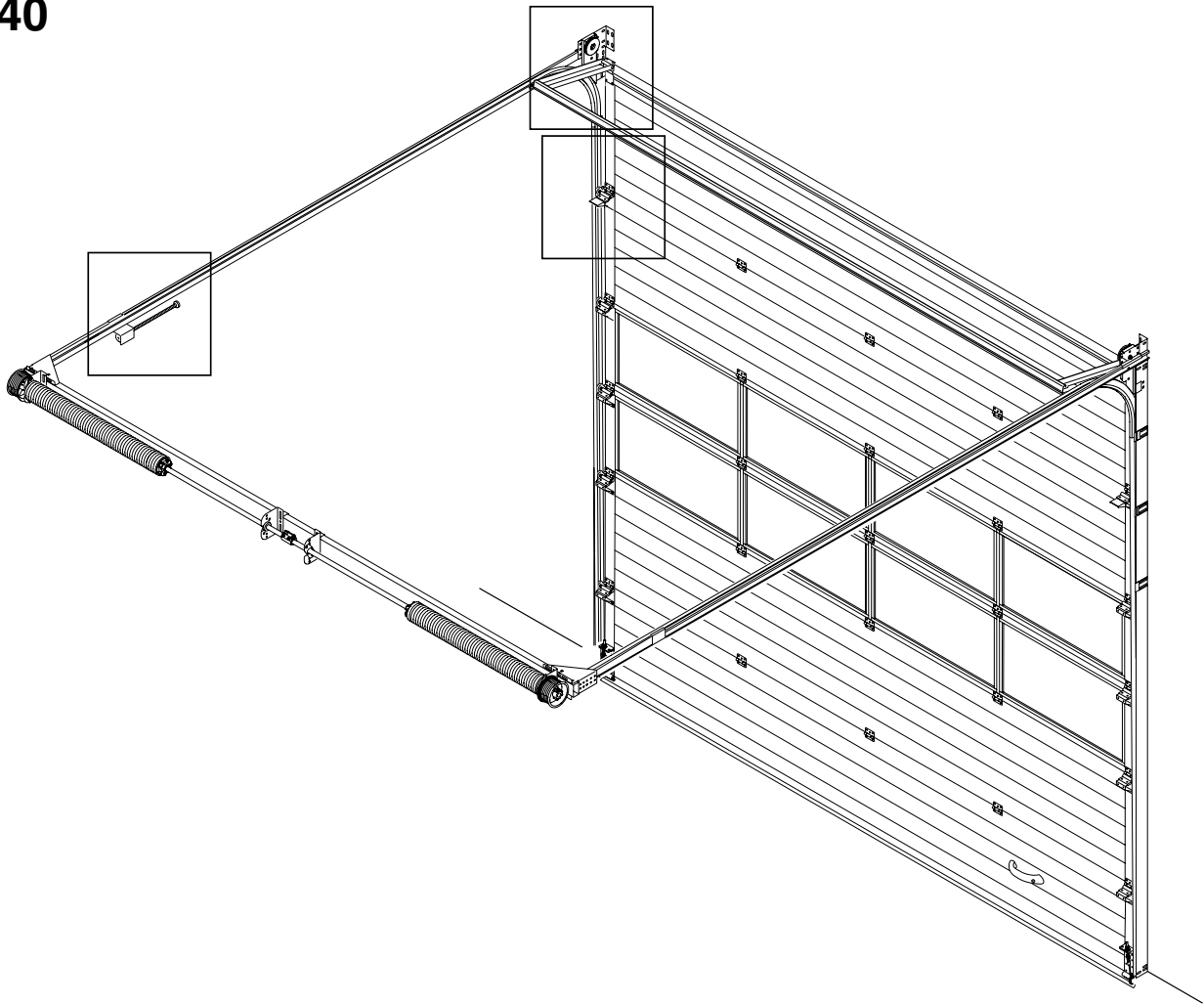


A L U

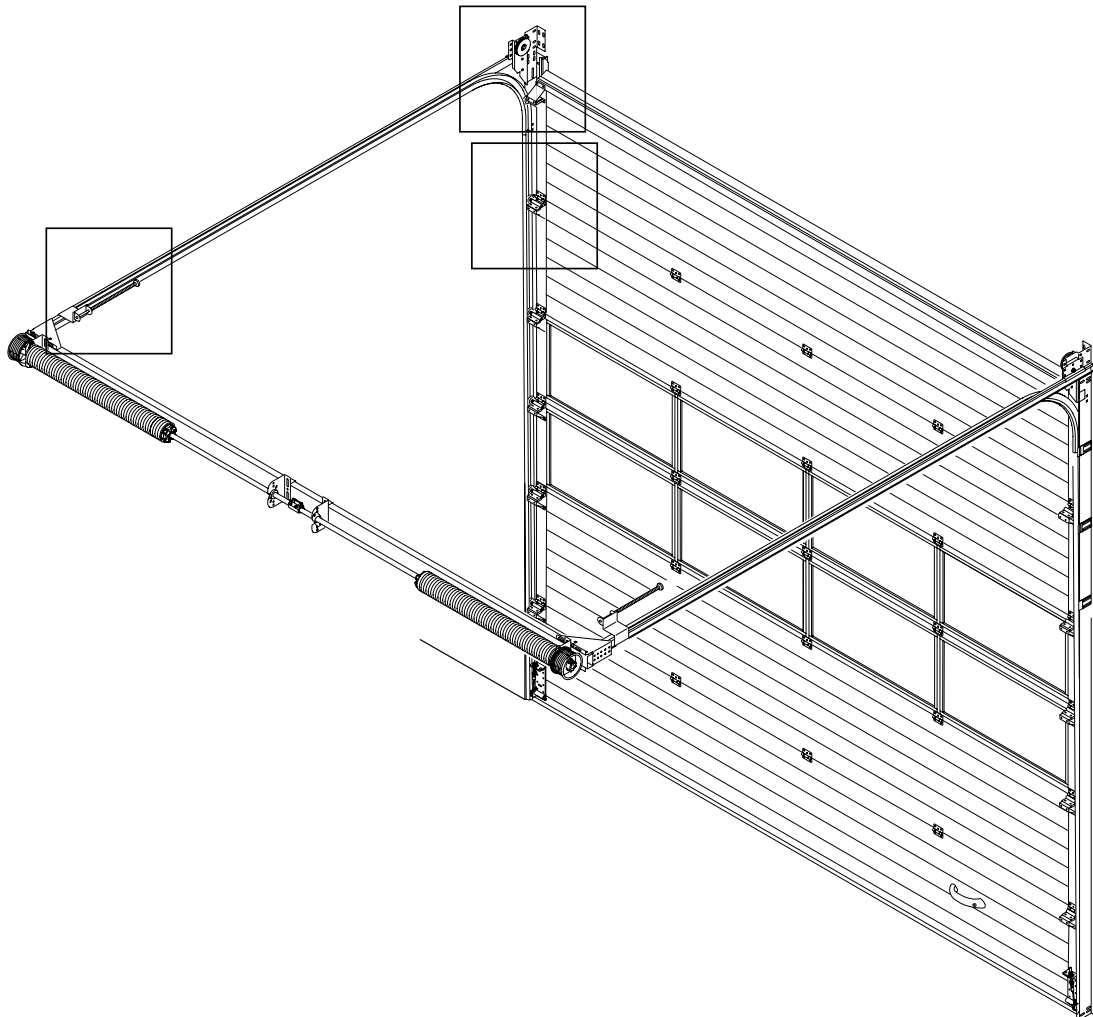


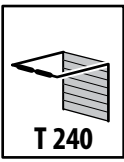
EN 13241-1

T 240

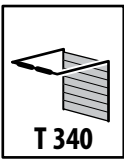


T 340



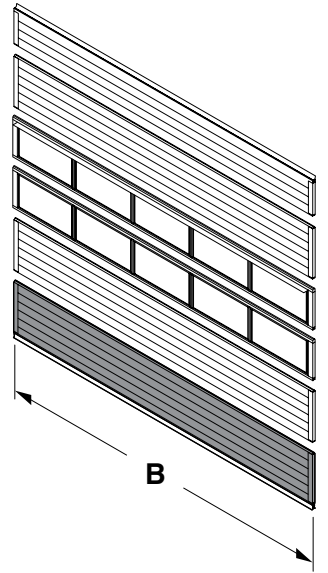


T 240



T 340

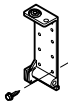
B < 5000mm



2x
6,3x35mm
5Nm

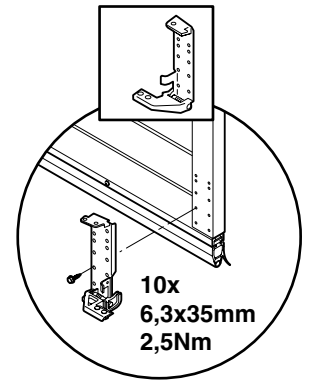
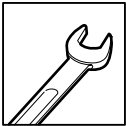


2x
6,3x15mm
2,5Nm



10x
6,3x35mm
2,5Nm

2x
6,3x35mm
5Nm

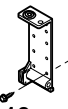


10x
6,3x35mm
2,5Nm

4x
6,3x35mm
5Nm

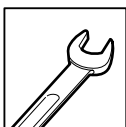


4x
6,3x15mm
2,5Nm

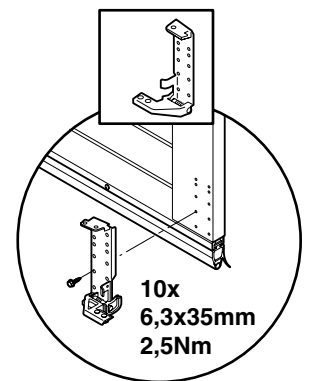


10x
6,3x35mm
2,5Nm

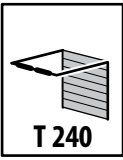
2x
6,3x35mm
5Nm



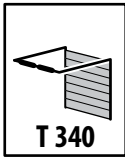
B > 5000mm



10x
6,3x35mm
2,5Nm

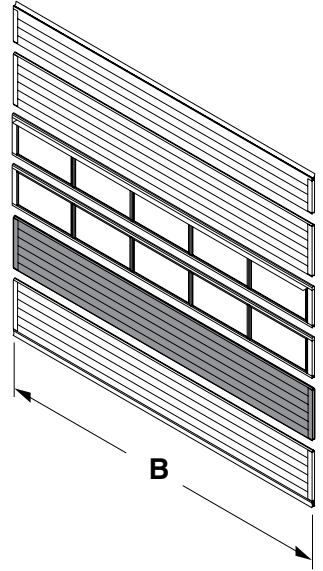


T 240



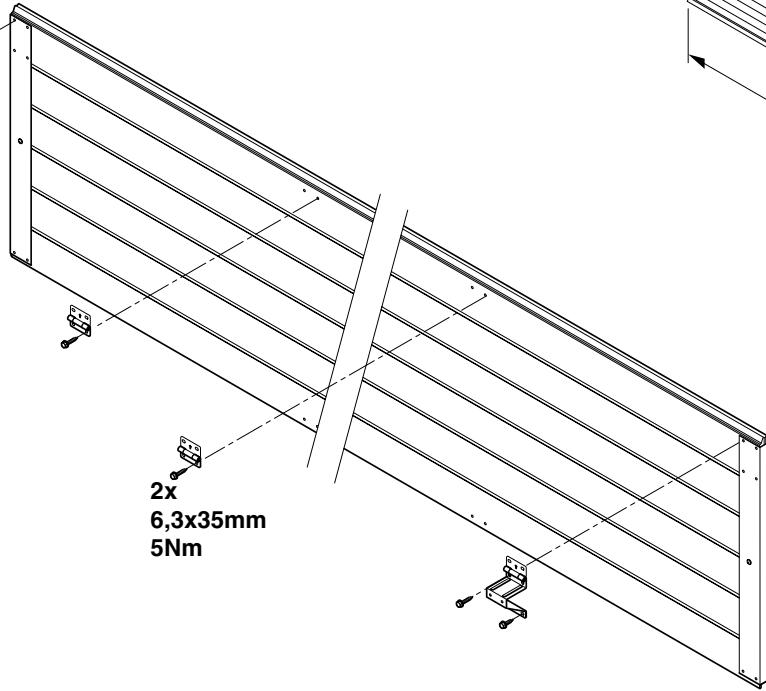
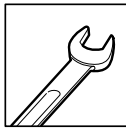
T 340

B < 5000mm



2x
6,3x35mm
5Nm

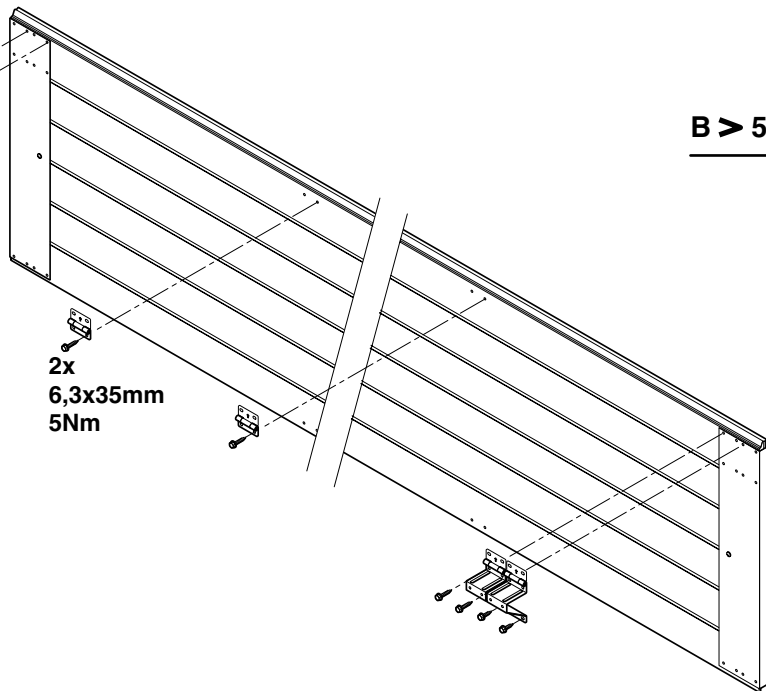
2x
6,3x15mm
2,5Nm



2x
6,3x35mm
5Nm

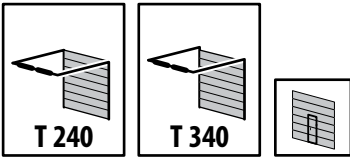
4x
6,3x35mm
5Nm

4x
6,3x15mm
2,5Nm



2x
6,3x35mm
5Nm

B > 5000mm

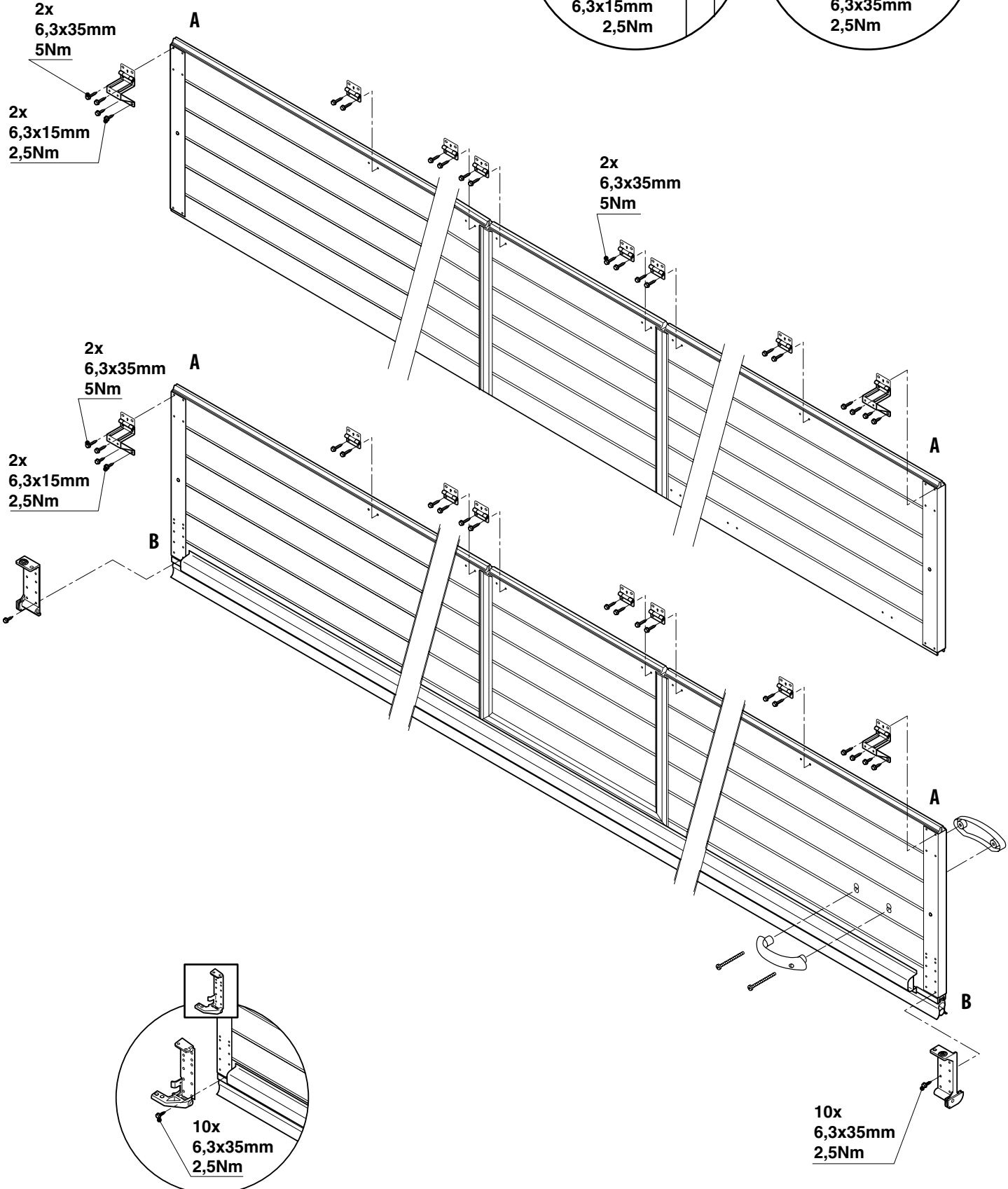
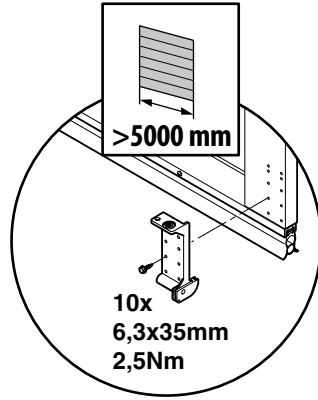
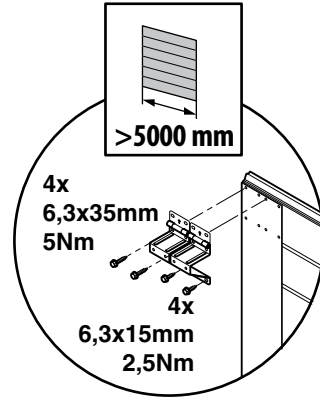


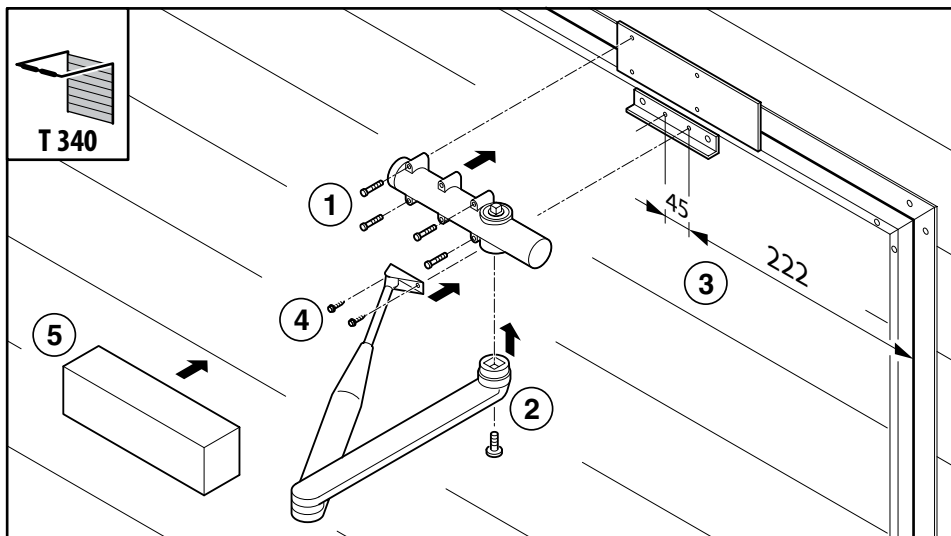
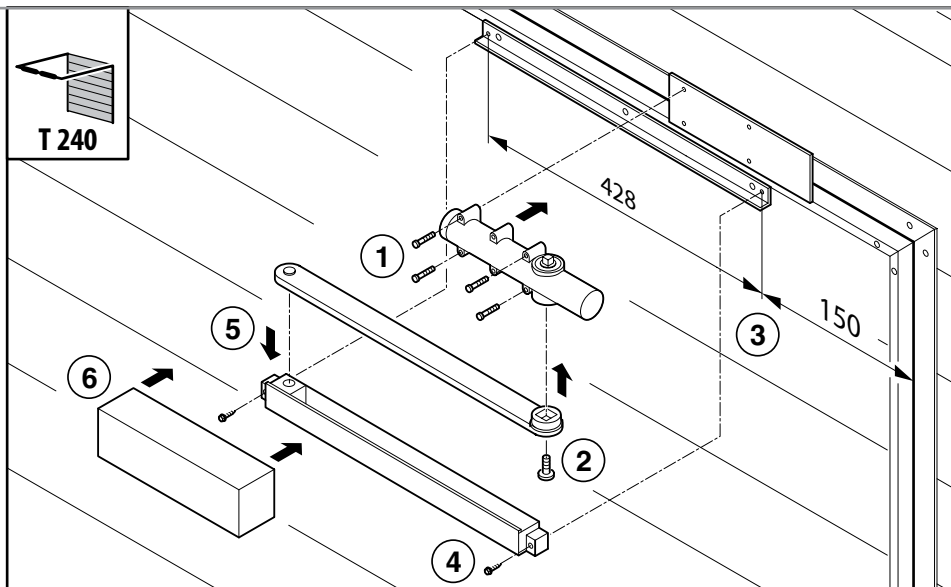
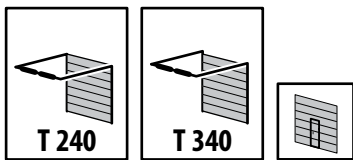
T 240

T 340

A

B

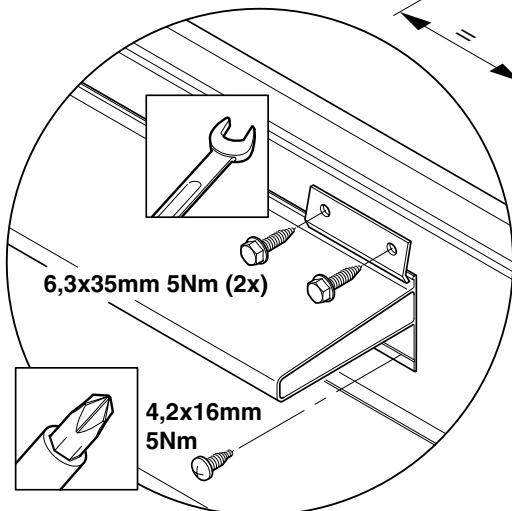
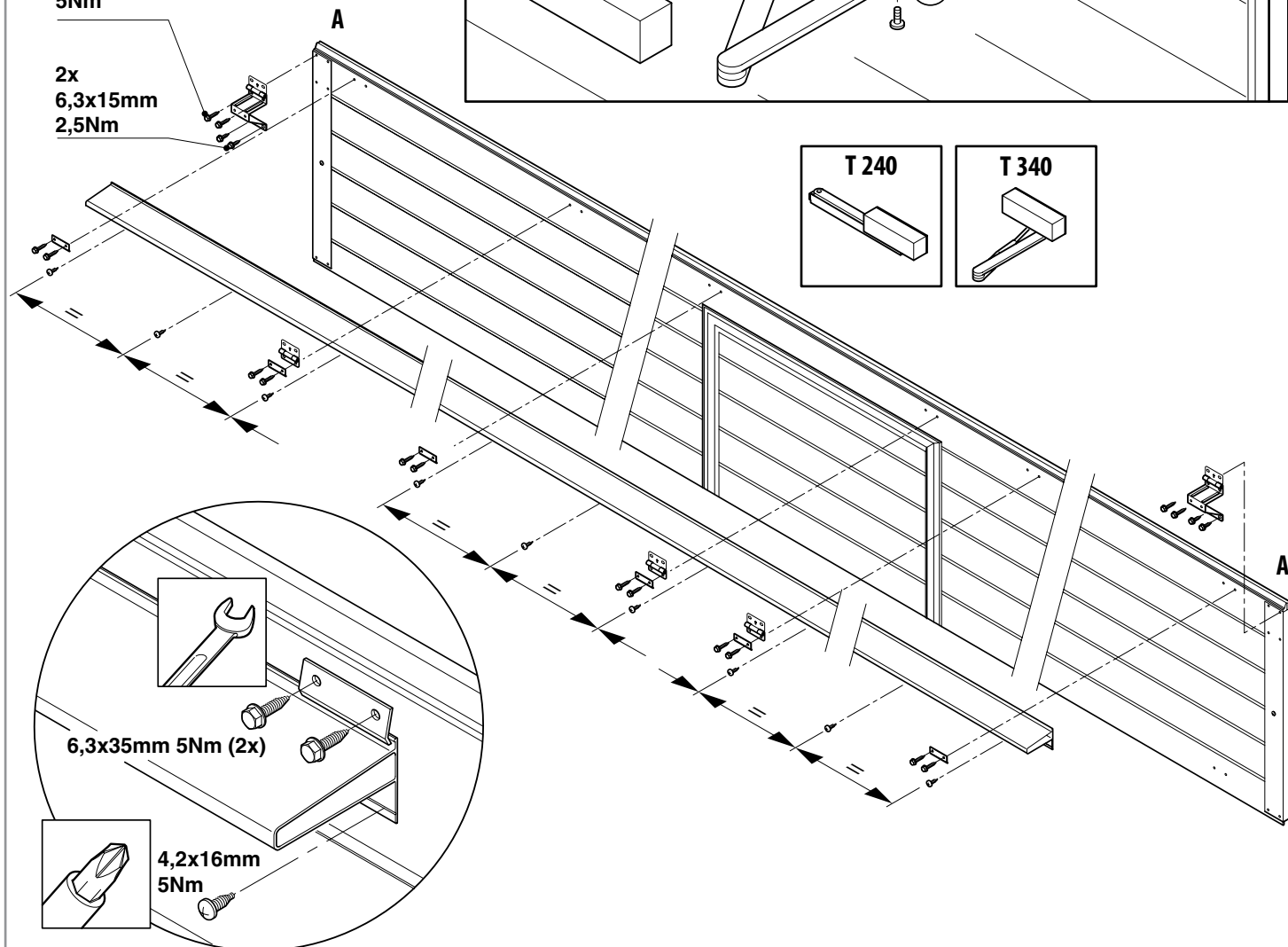
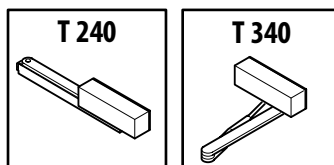


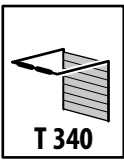
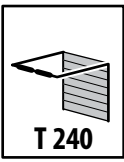


2x
6,3x35mm
5Nm

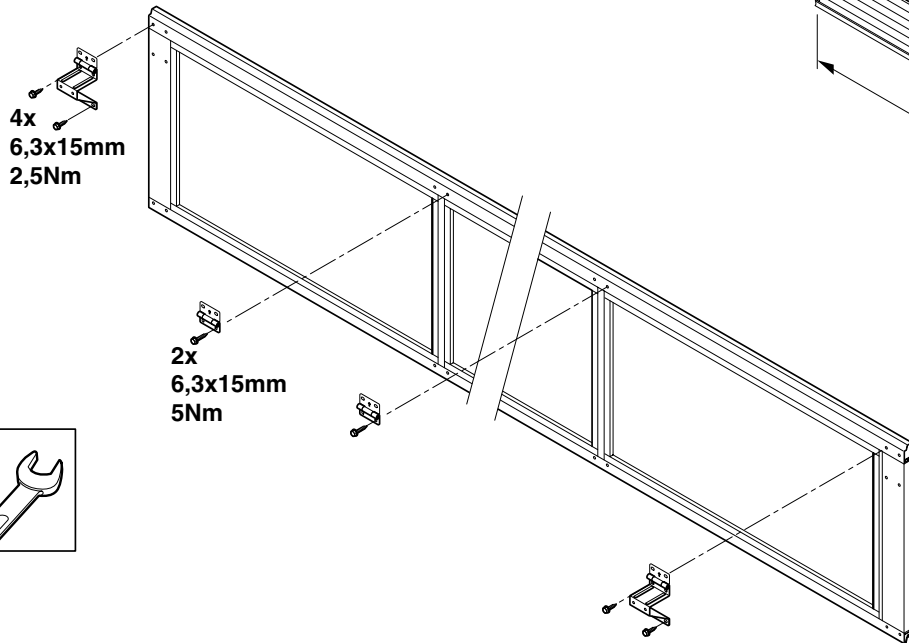
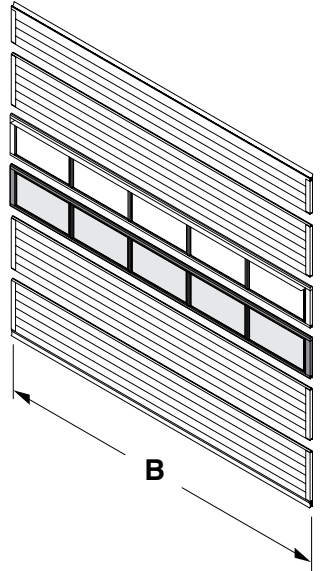
2x
6,3x15mm
2,5Nm

A

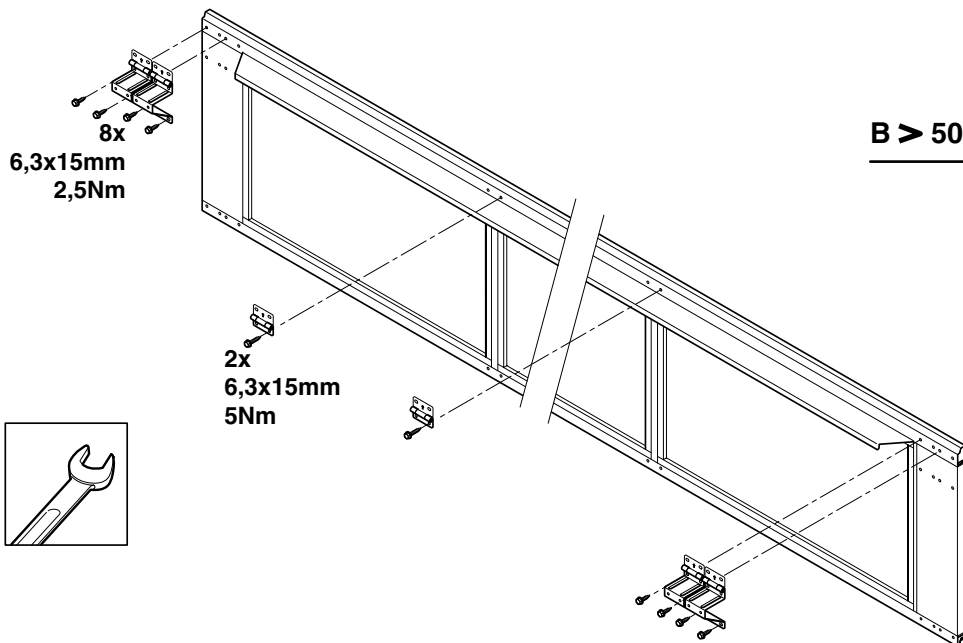


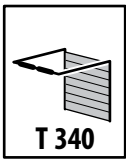
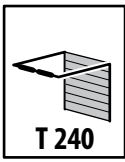


B < 5000mm

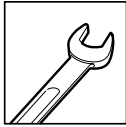
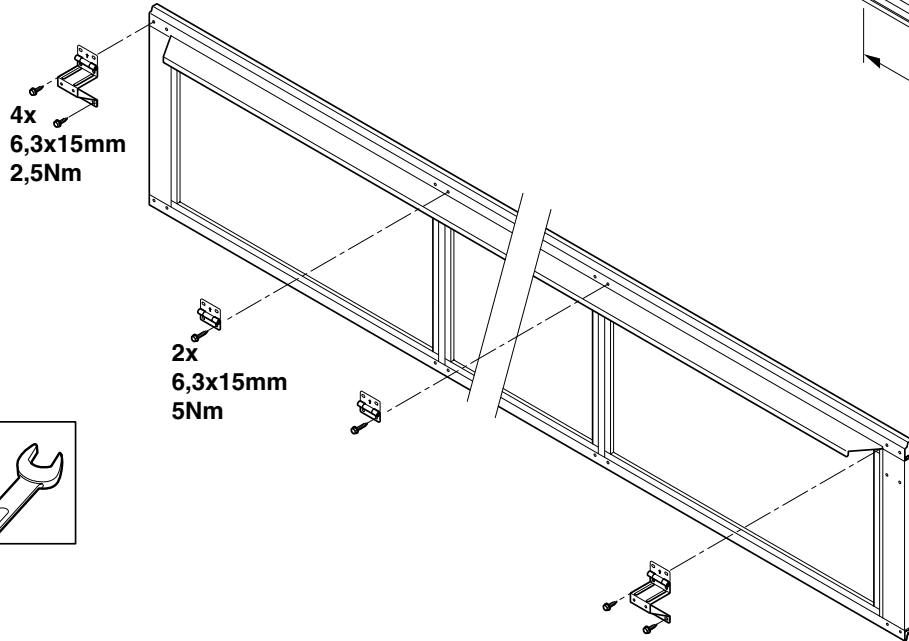
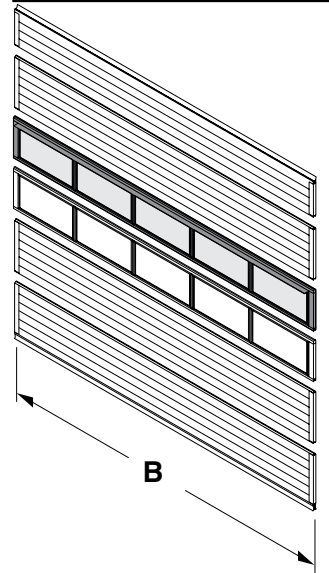


B > 5000mm

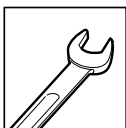
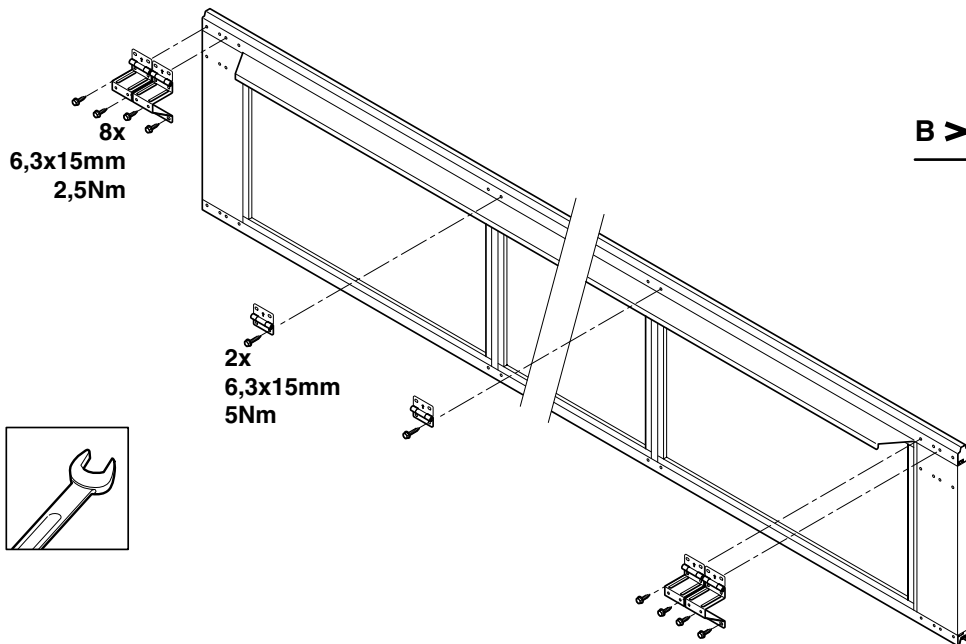


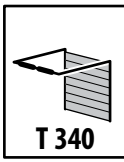
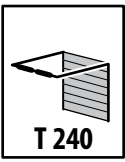


B < 5000mm

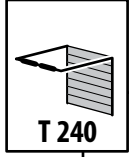
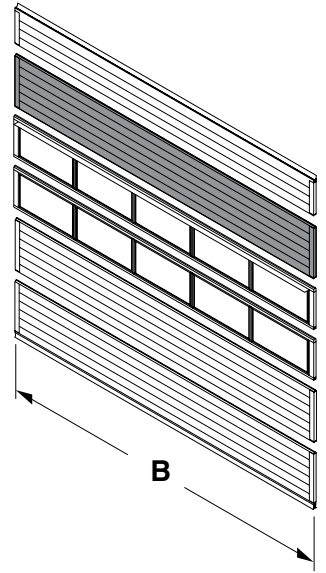


B > 5000mm





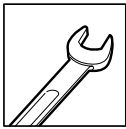
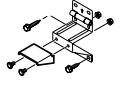
B < 5000mm



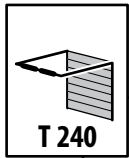
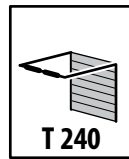
2x
6,3x35mm
5Nm



2x
6,3x15mm
2,5Nm



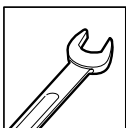
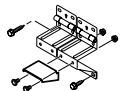
2x
6,3x35mm
5Nm



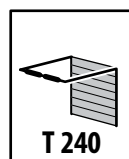
4x
6,3x35mm
5Nm



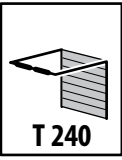
4x
6,3x15mm
2,5Nm



2x
6,3x35mm
5Nm

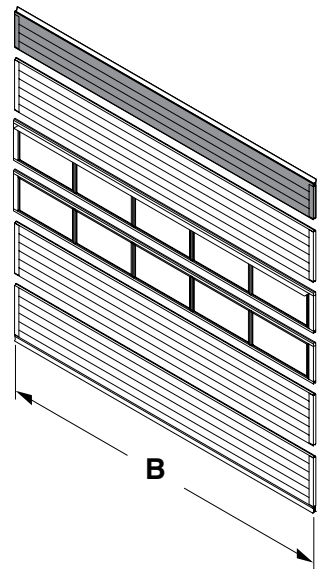


B > 5000mm



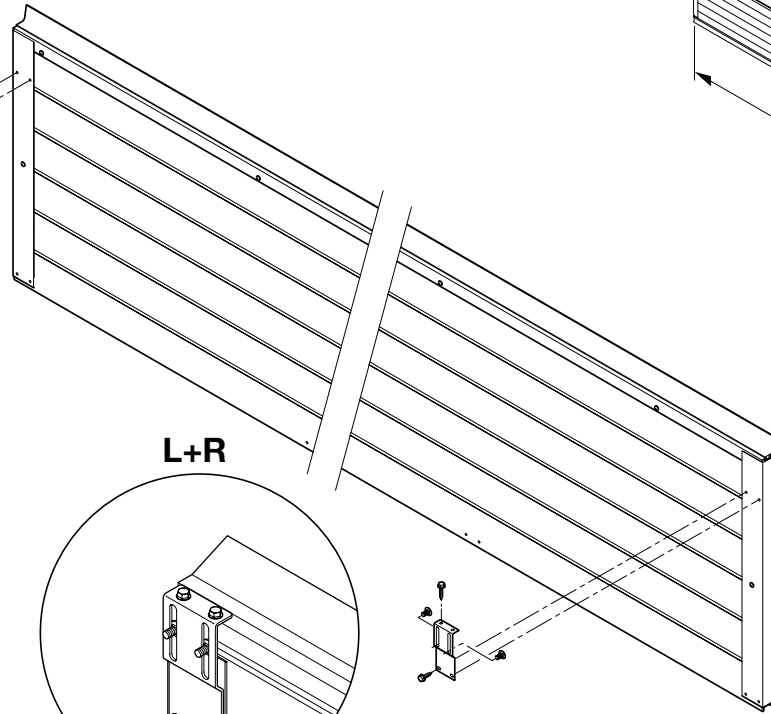
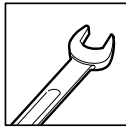
T 240

B < 5000mm



2x
6,3x35mm
5Nm

2x
6,3x15mm
2,5Nm

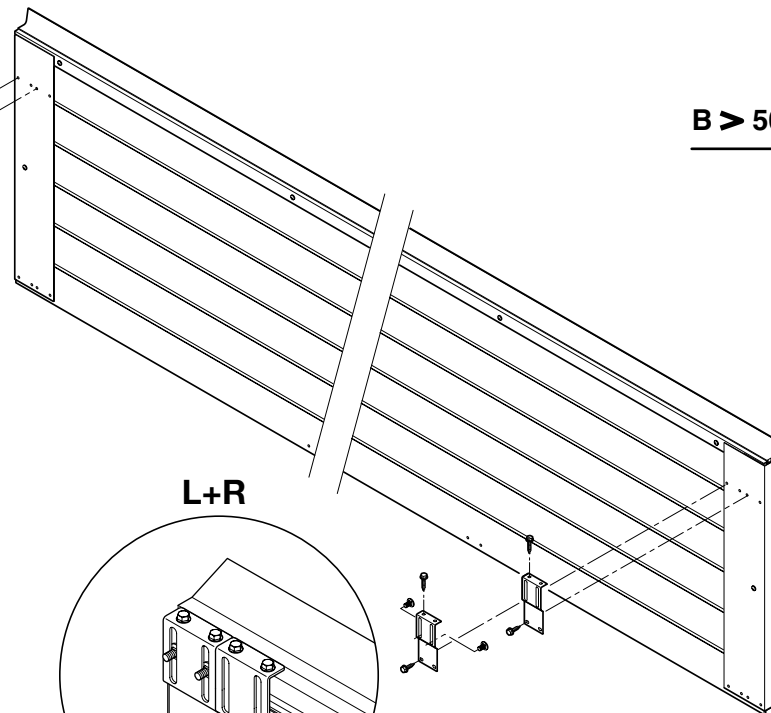


L+R

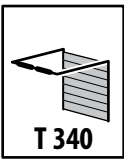
B > 5000mm

2x
6,3x35mm
5Nm

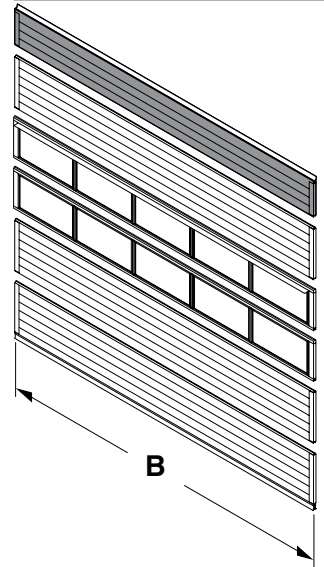
2x
6,3x15mm
2,5Nm



L+R

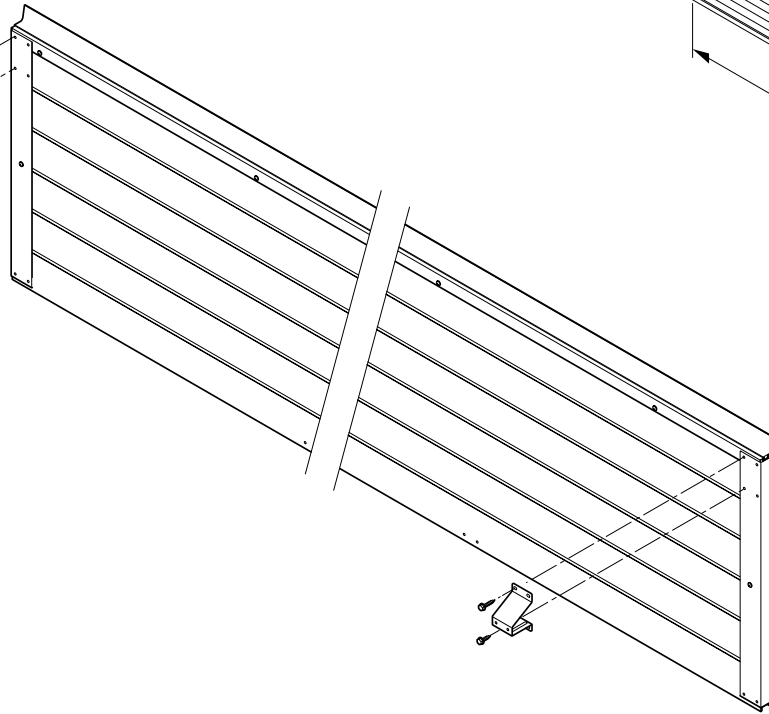
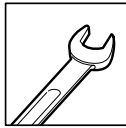


B < 5000mm



2x
6,3x35mm
5Nm

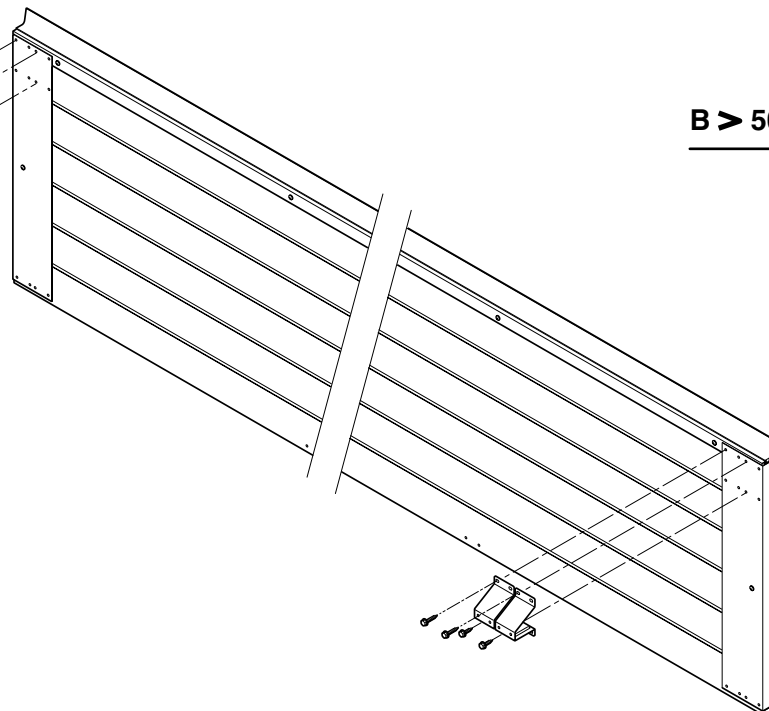
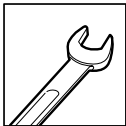
2x
6,3x15mm
2,5Nm

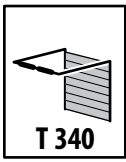
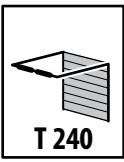


B > 5000mm

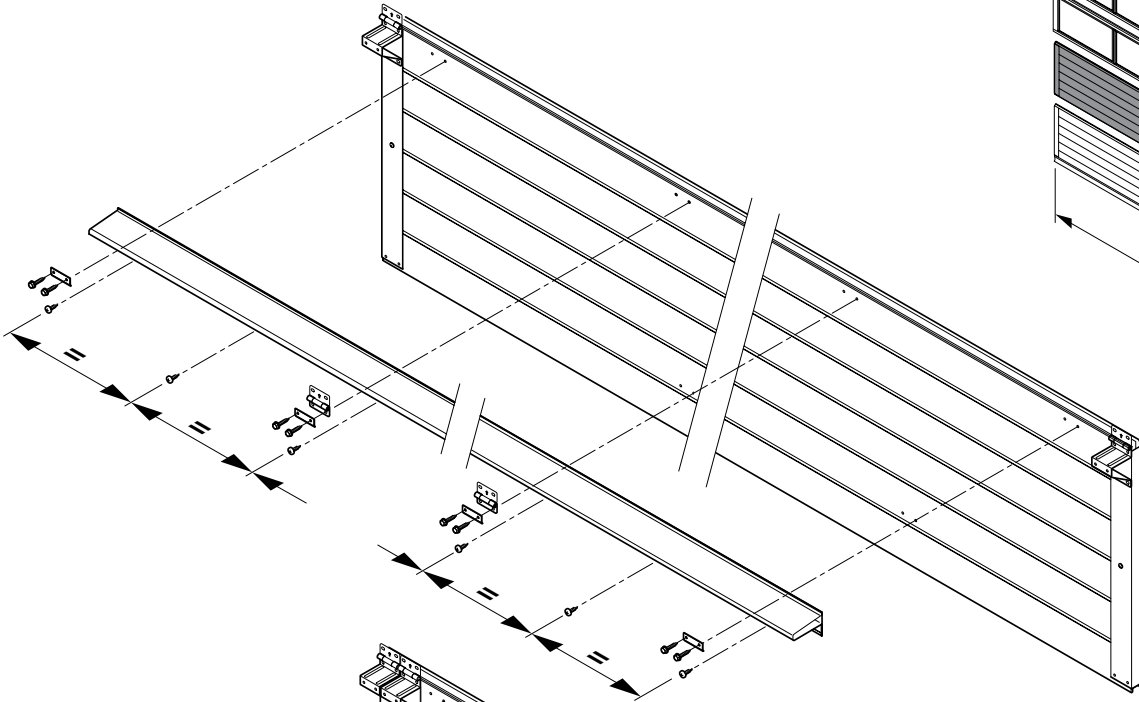
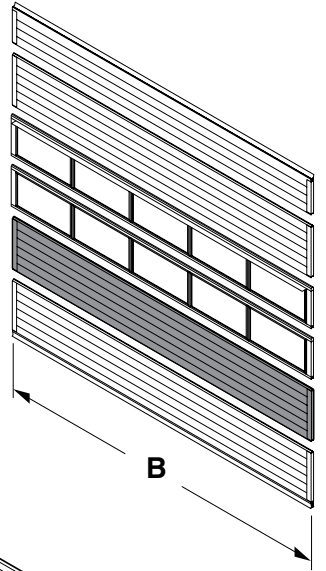
4x
6,3x35mm
5Nm

4x
6,3x15mm
2,5Nm

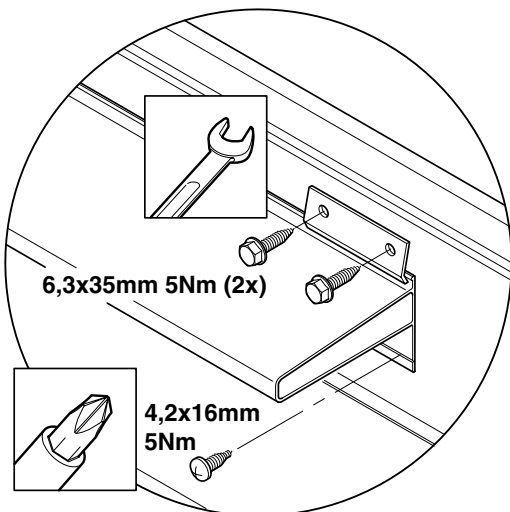
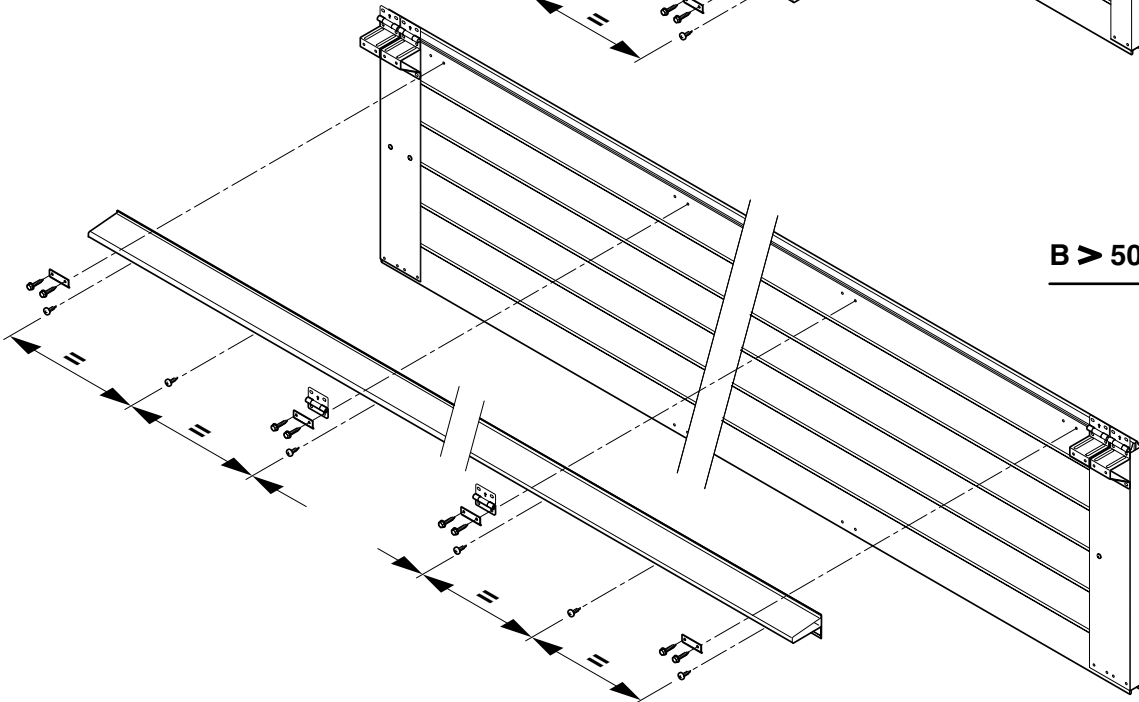


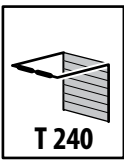


B < 5000mm



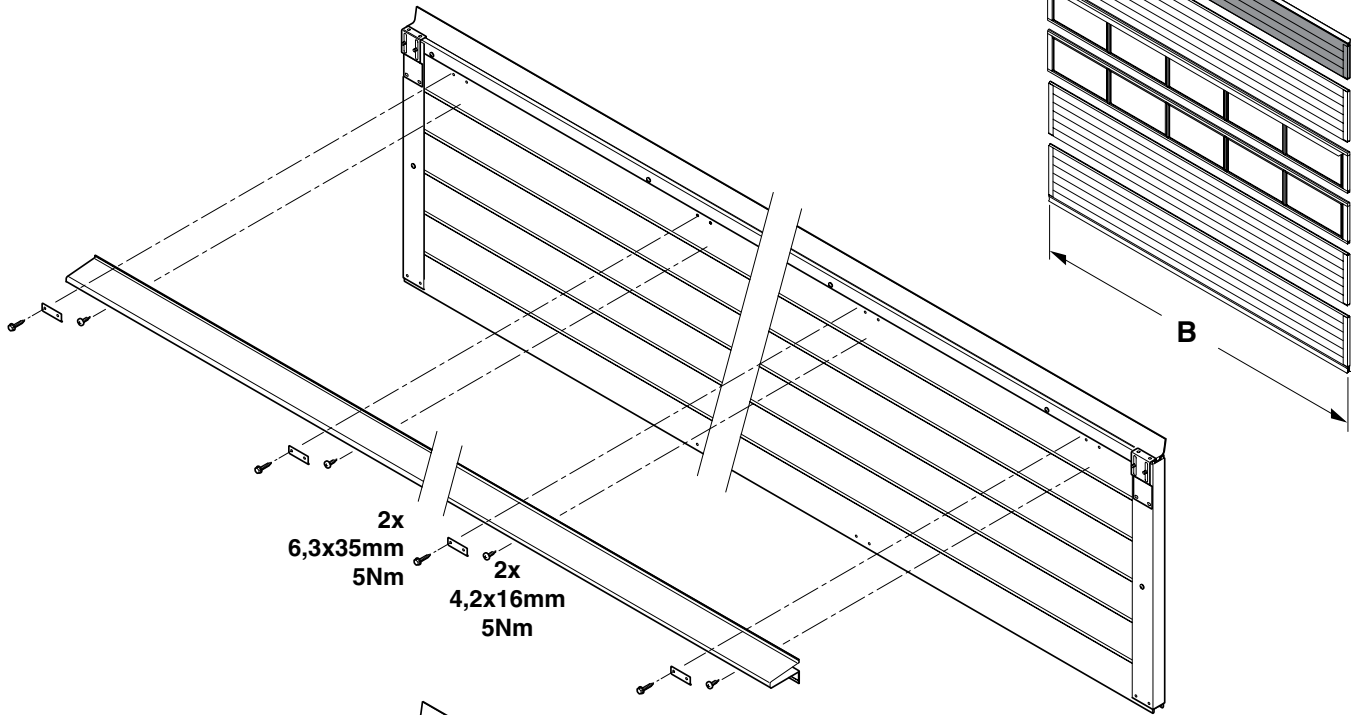
B > 5000mm



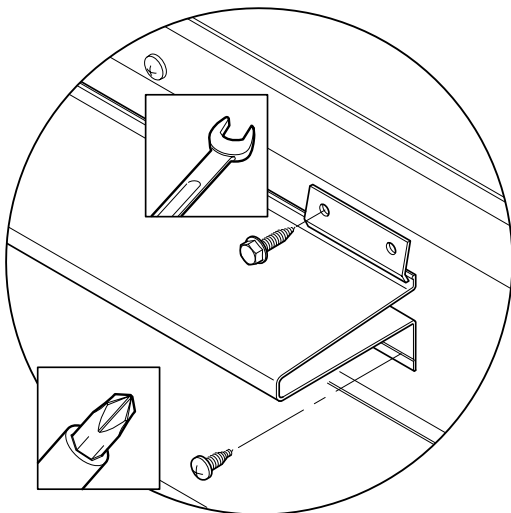
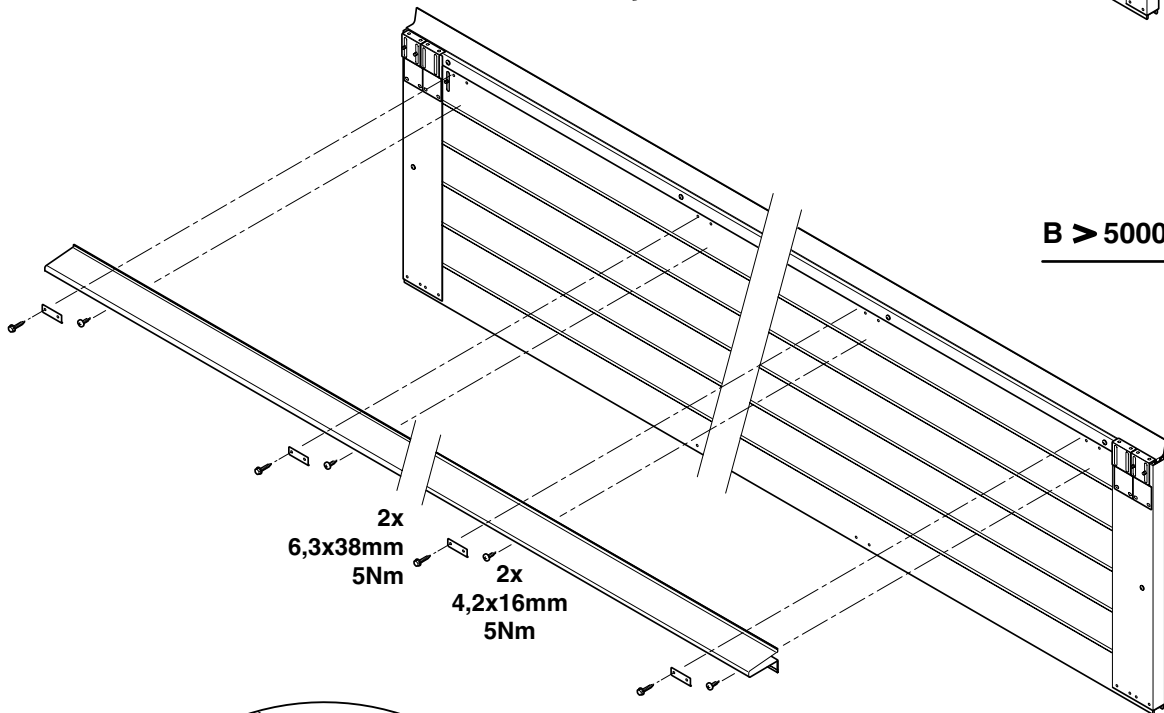


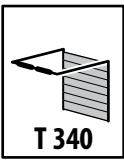
T 240

B < 5000mm

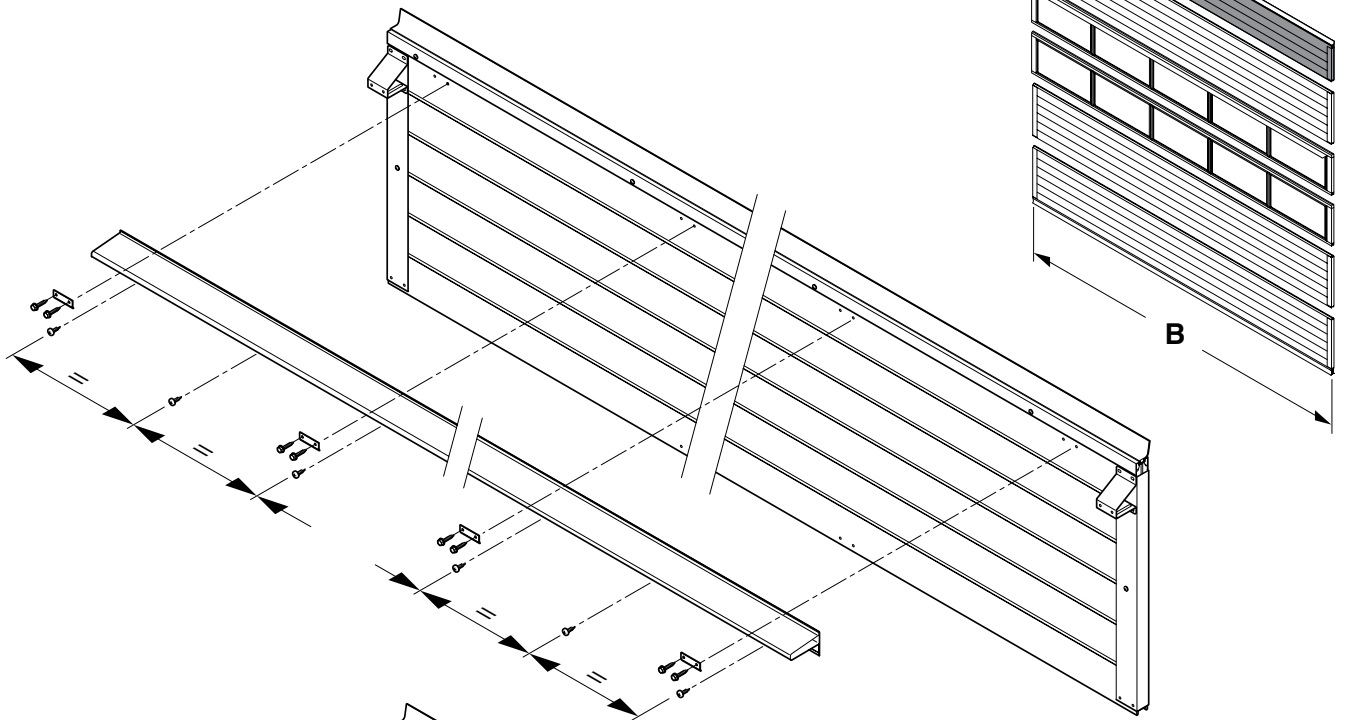


B > 5000mm

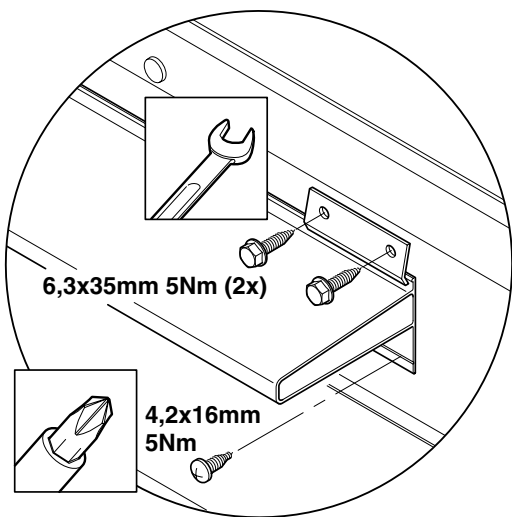
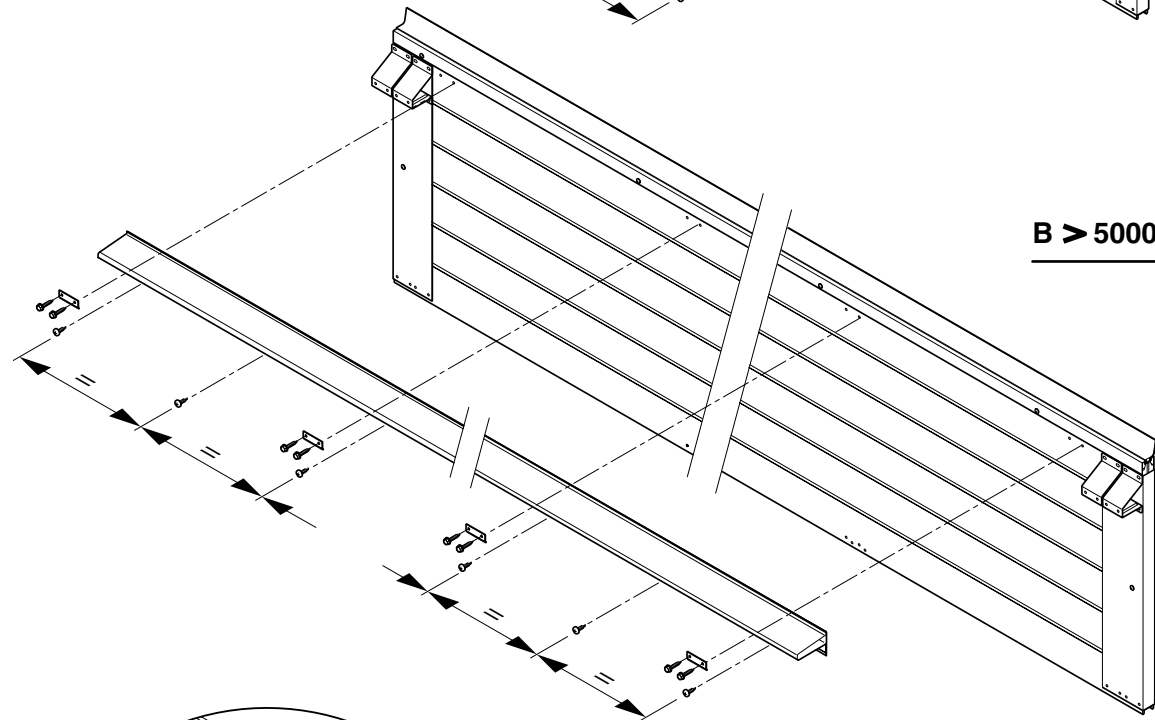


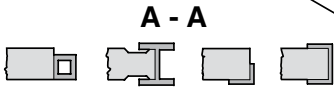
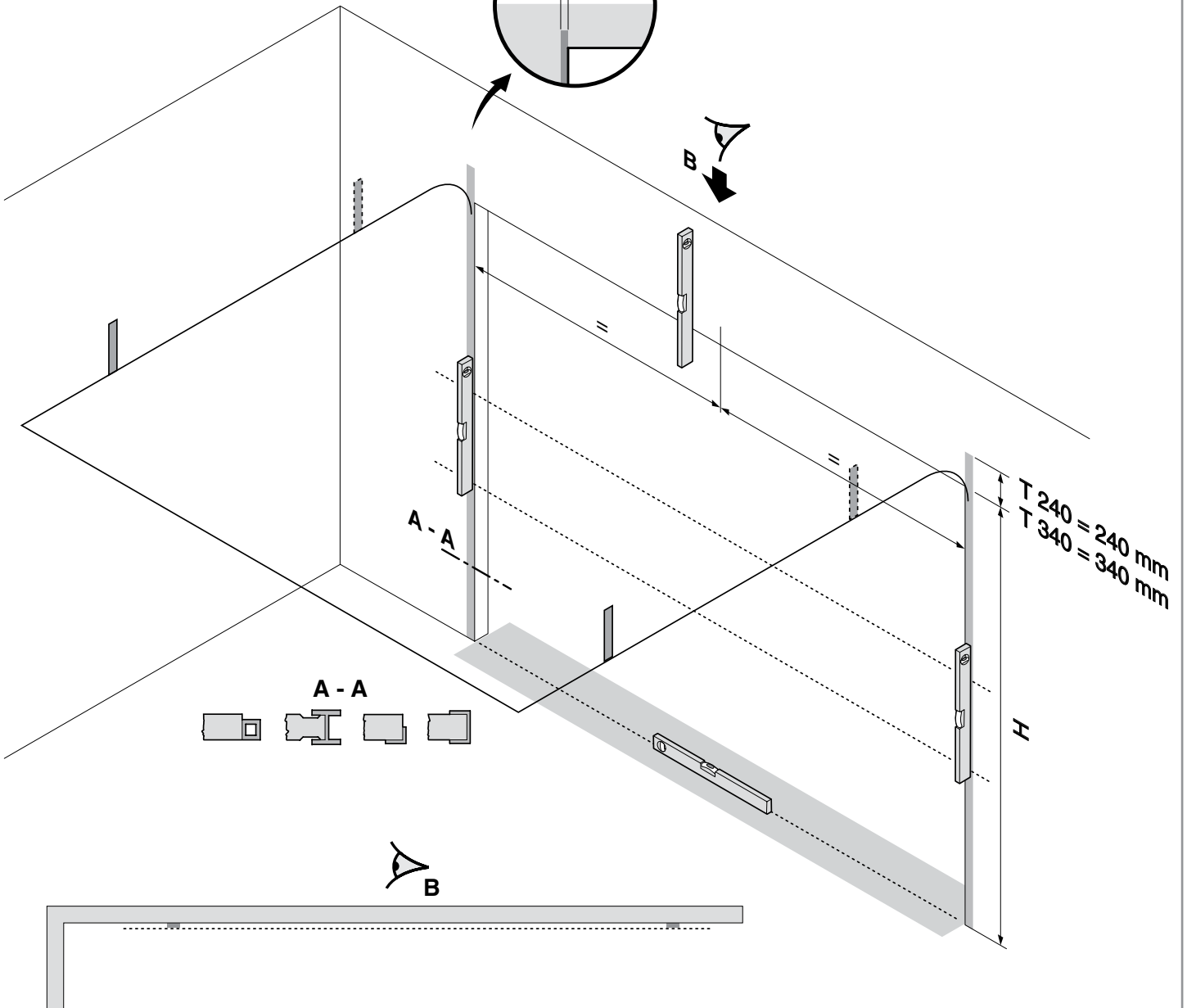
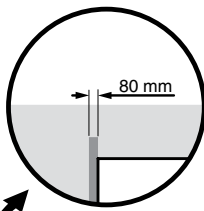
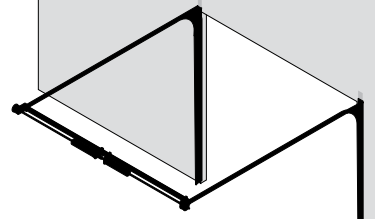
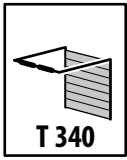
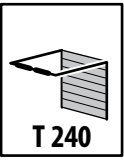


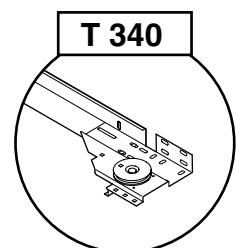
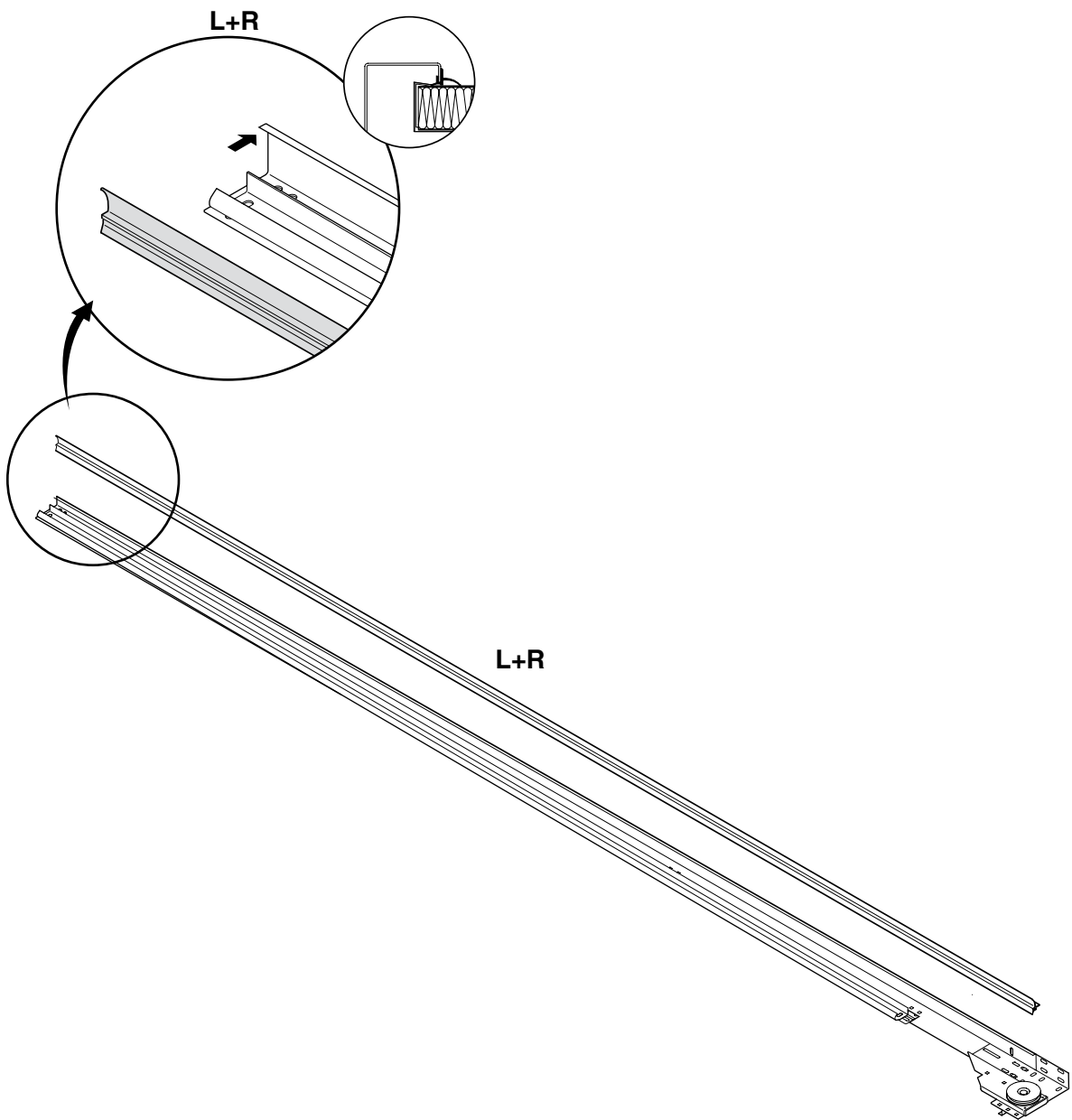
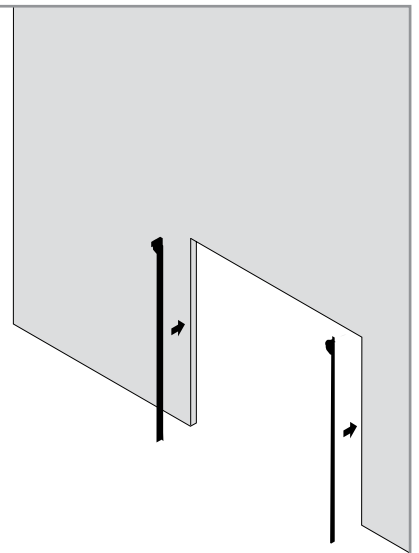
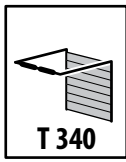
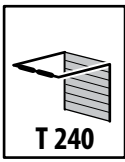
B < 5000mm

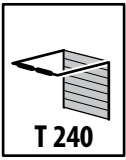


B > 5000mm

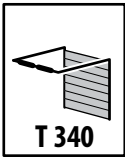




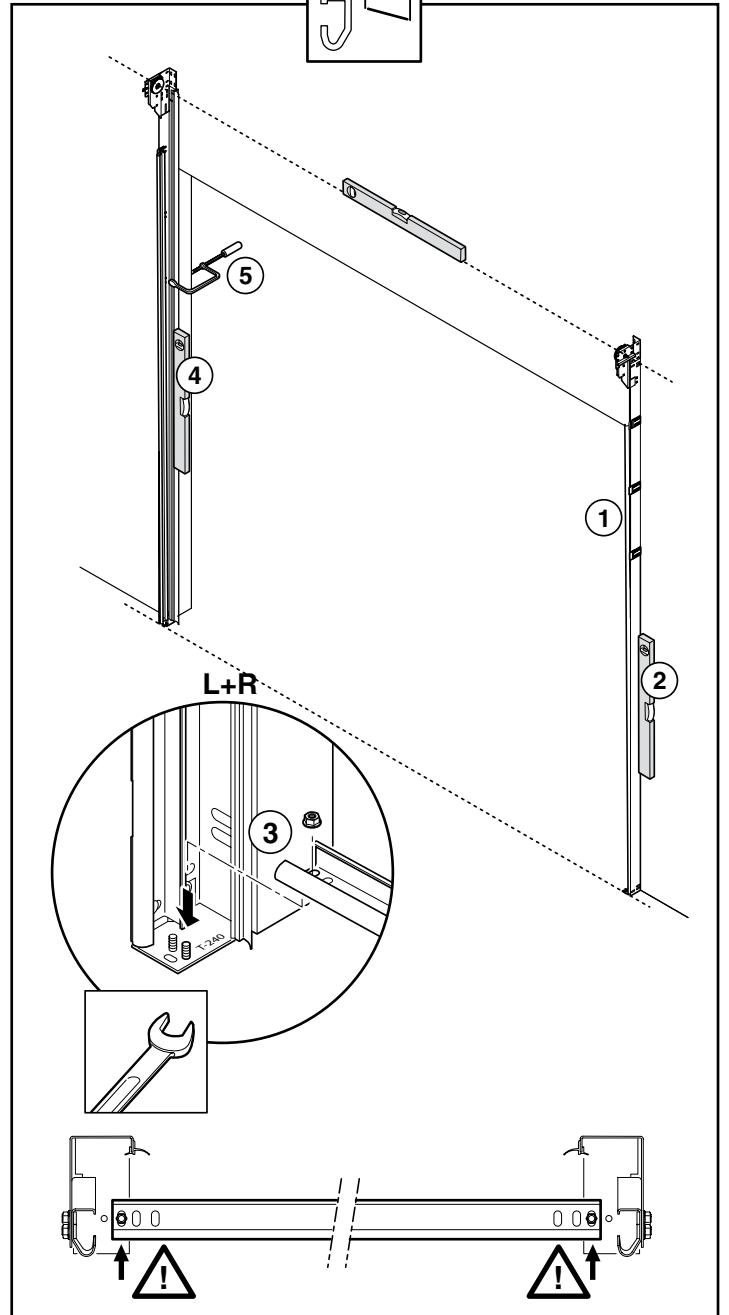
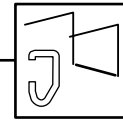
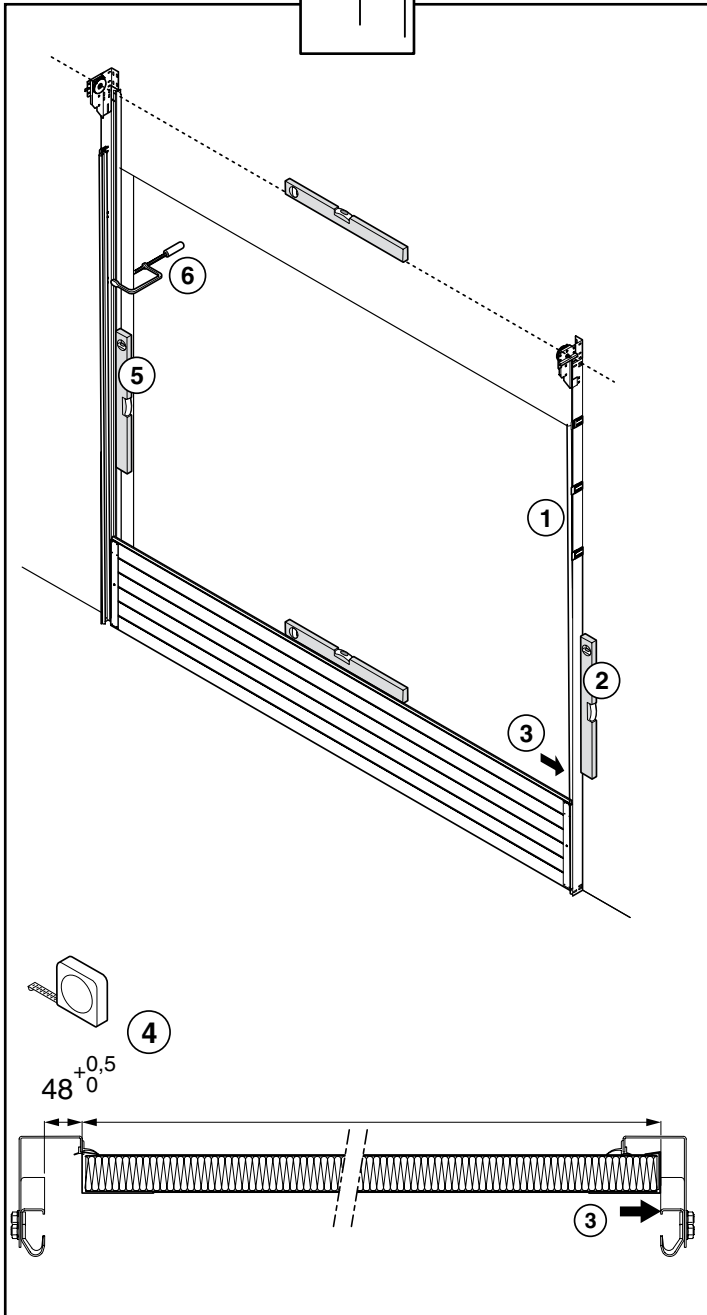
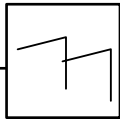
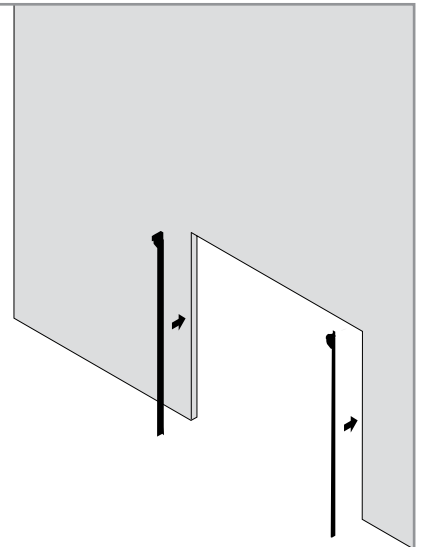


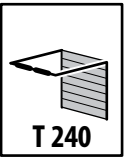


T 240

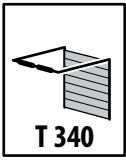


T 340

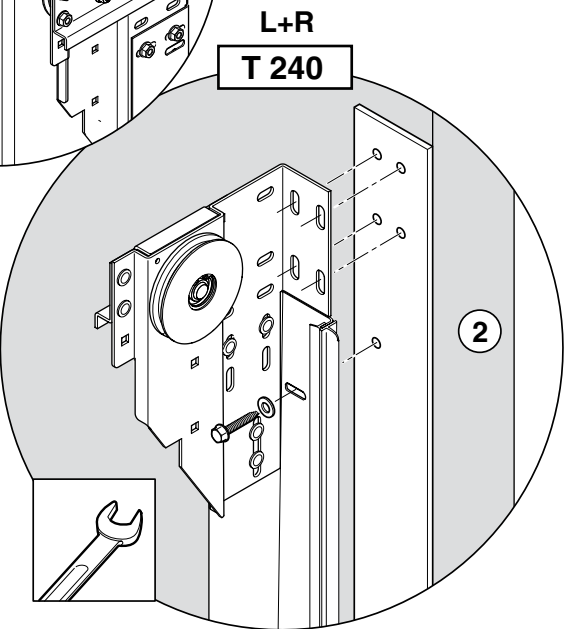
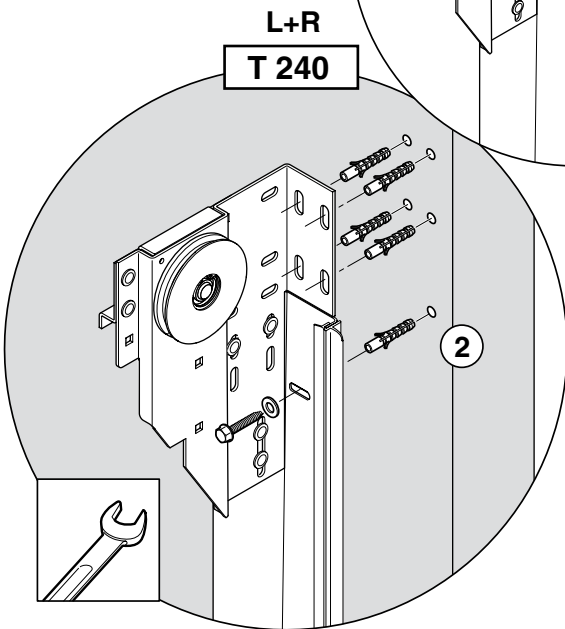
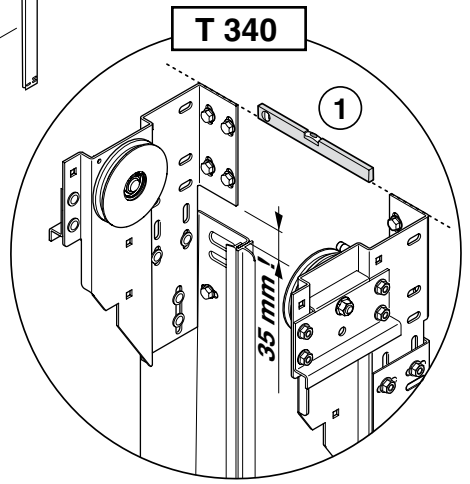
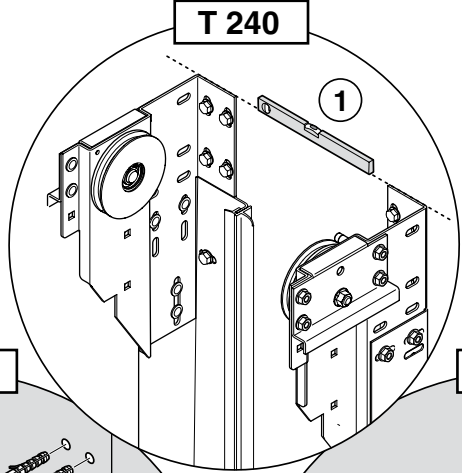
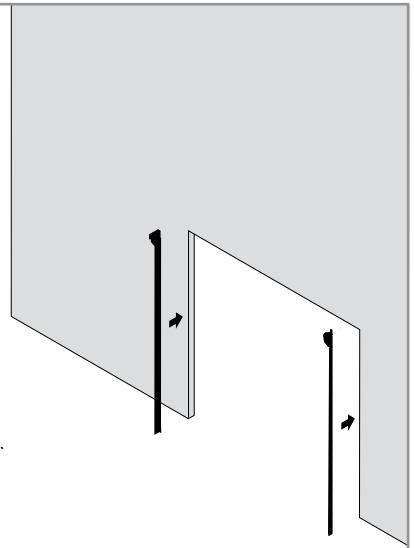
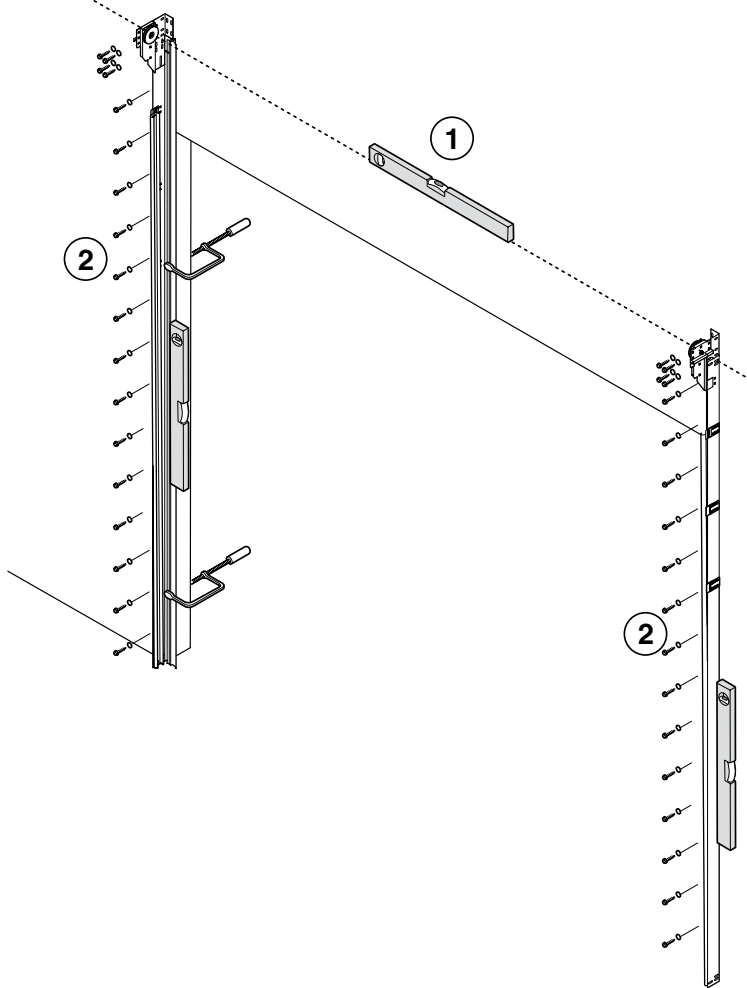


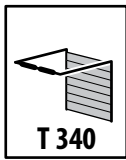
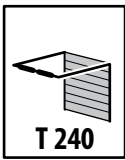


T 240

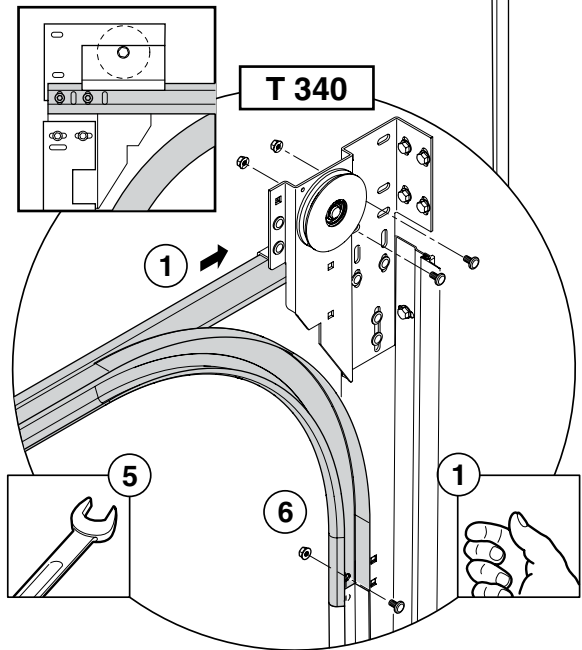
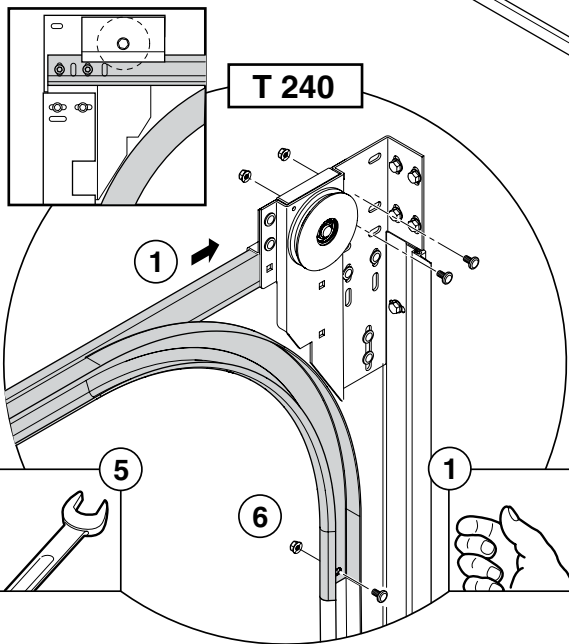
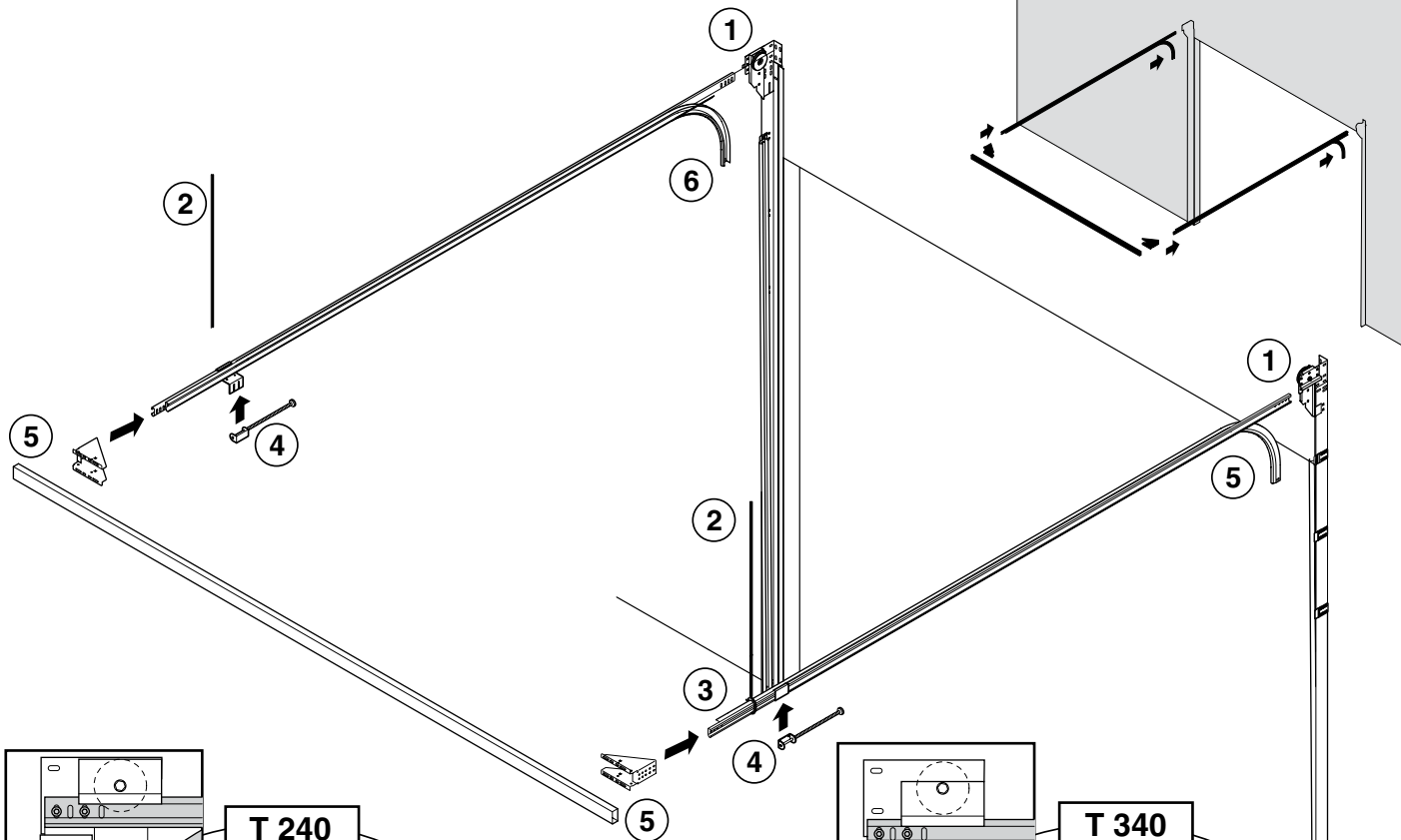
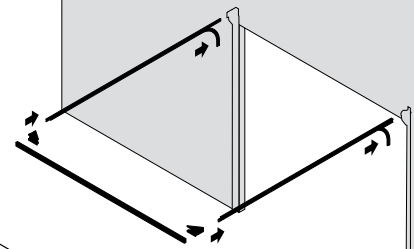


T 340

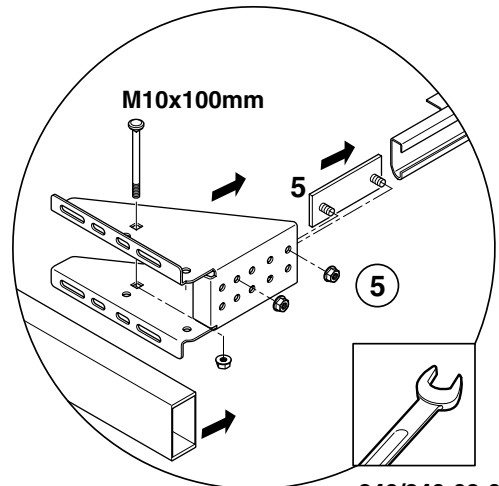
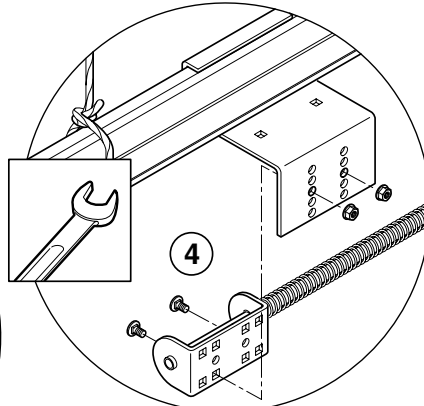
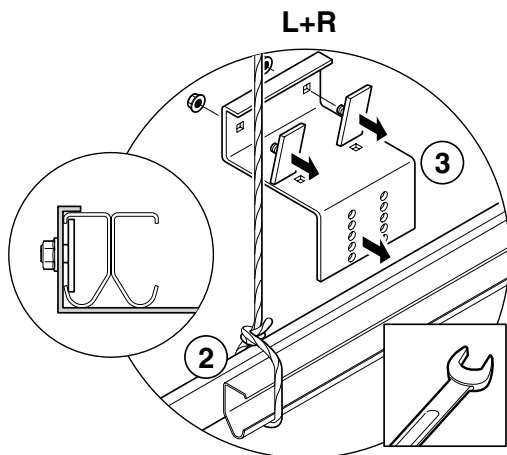




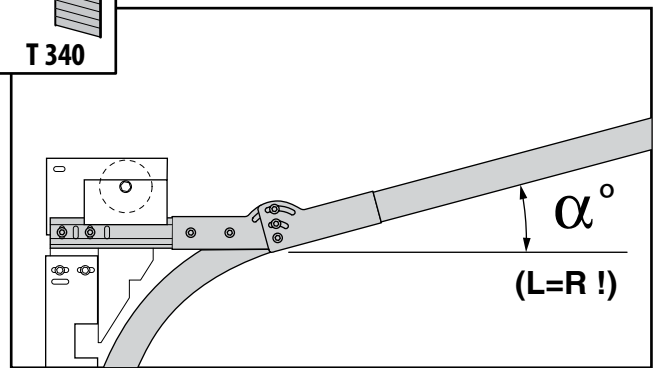
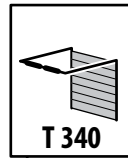
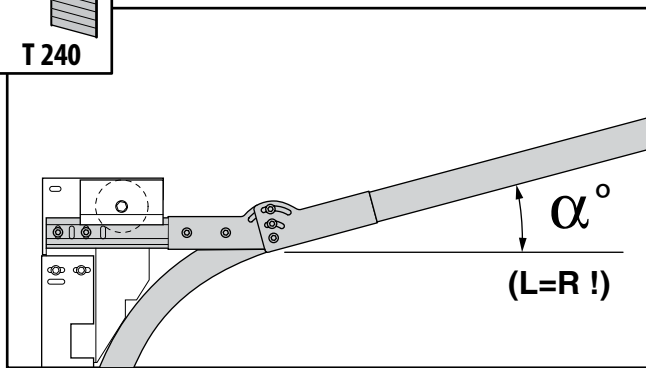
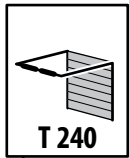
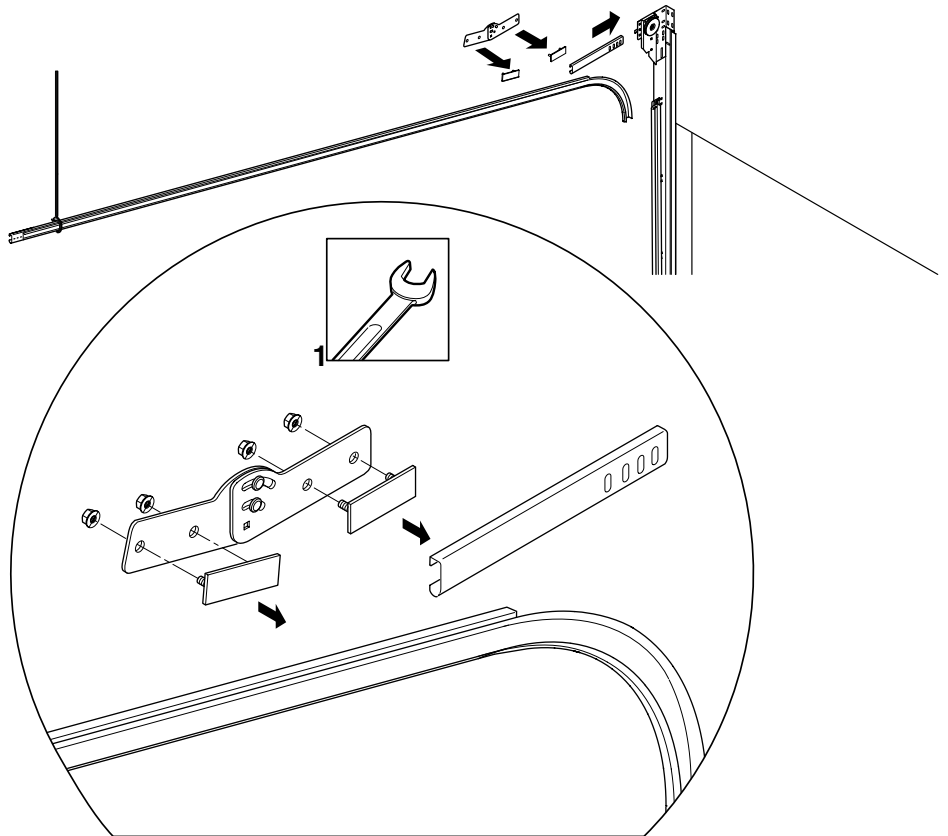
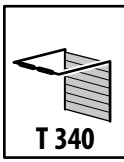
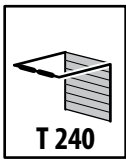
240/340-03-02



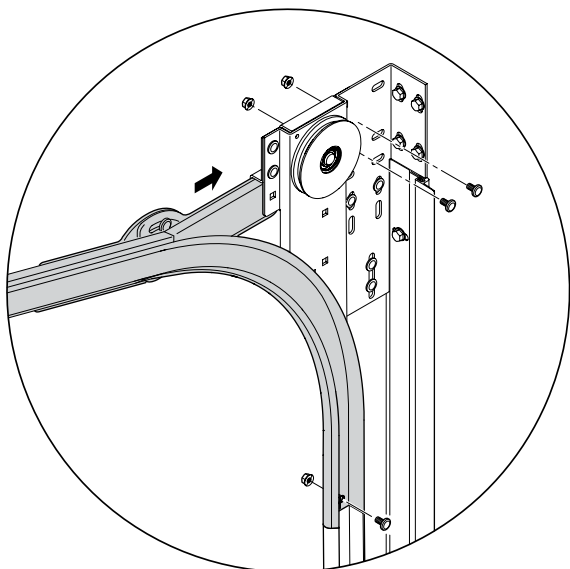
L+R



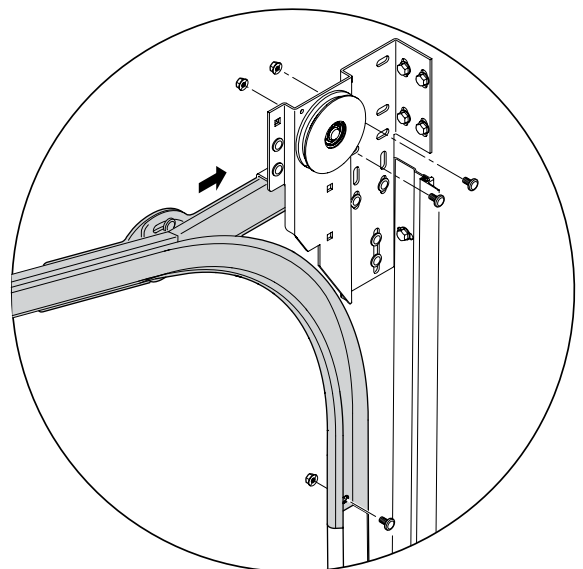
M10x100mm

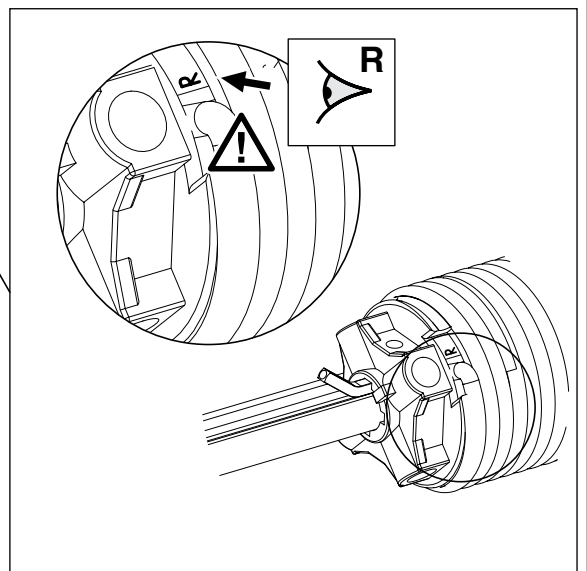
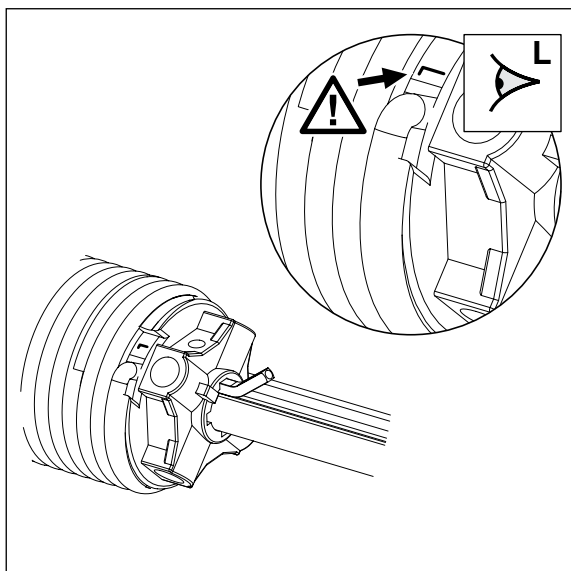
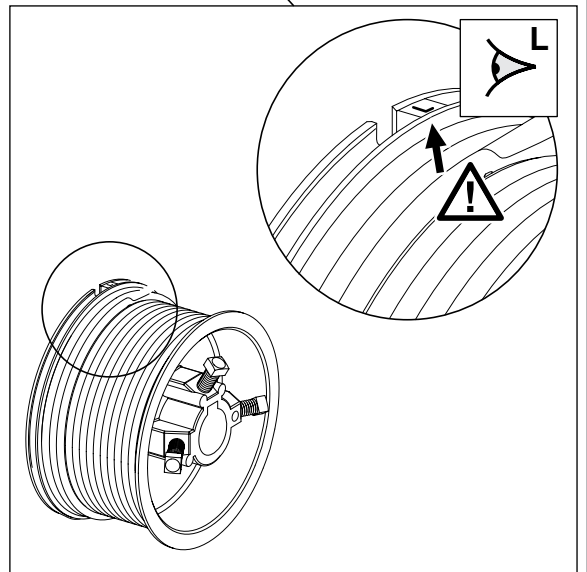
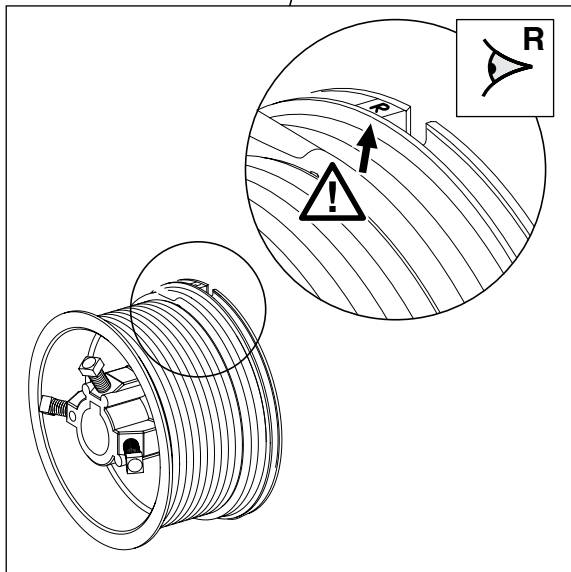
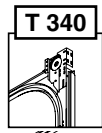
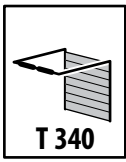
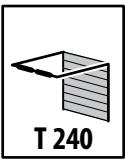


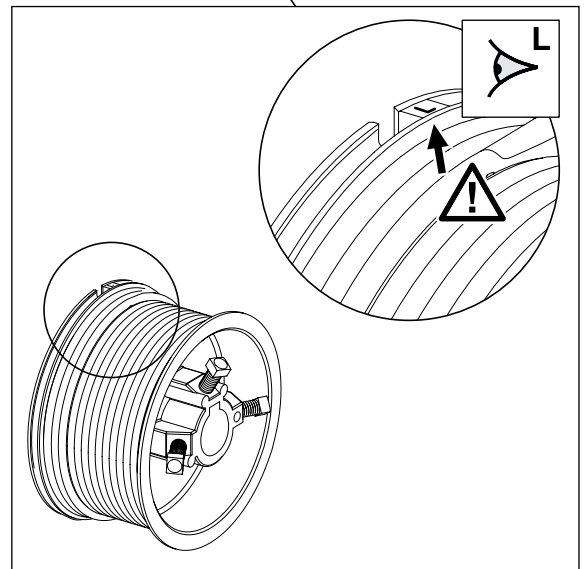
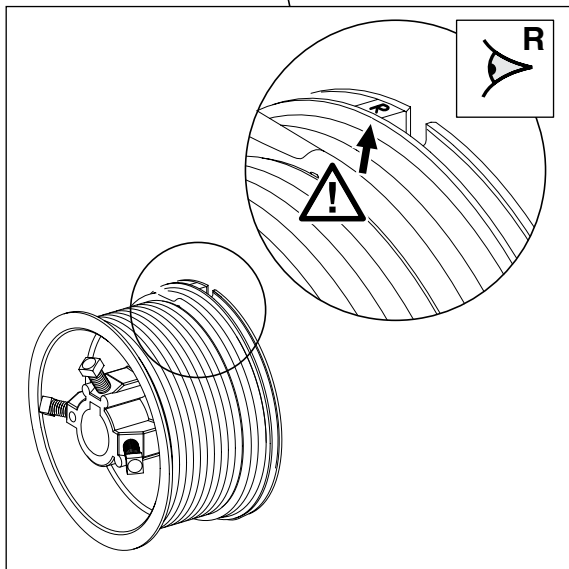
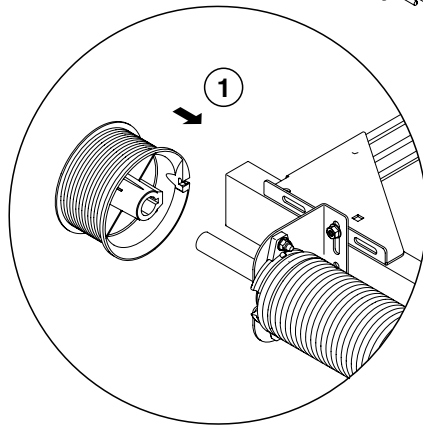
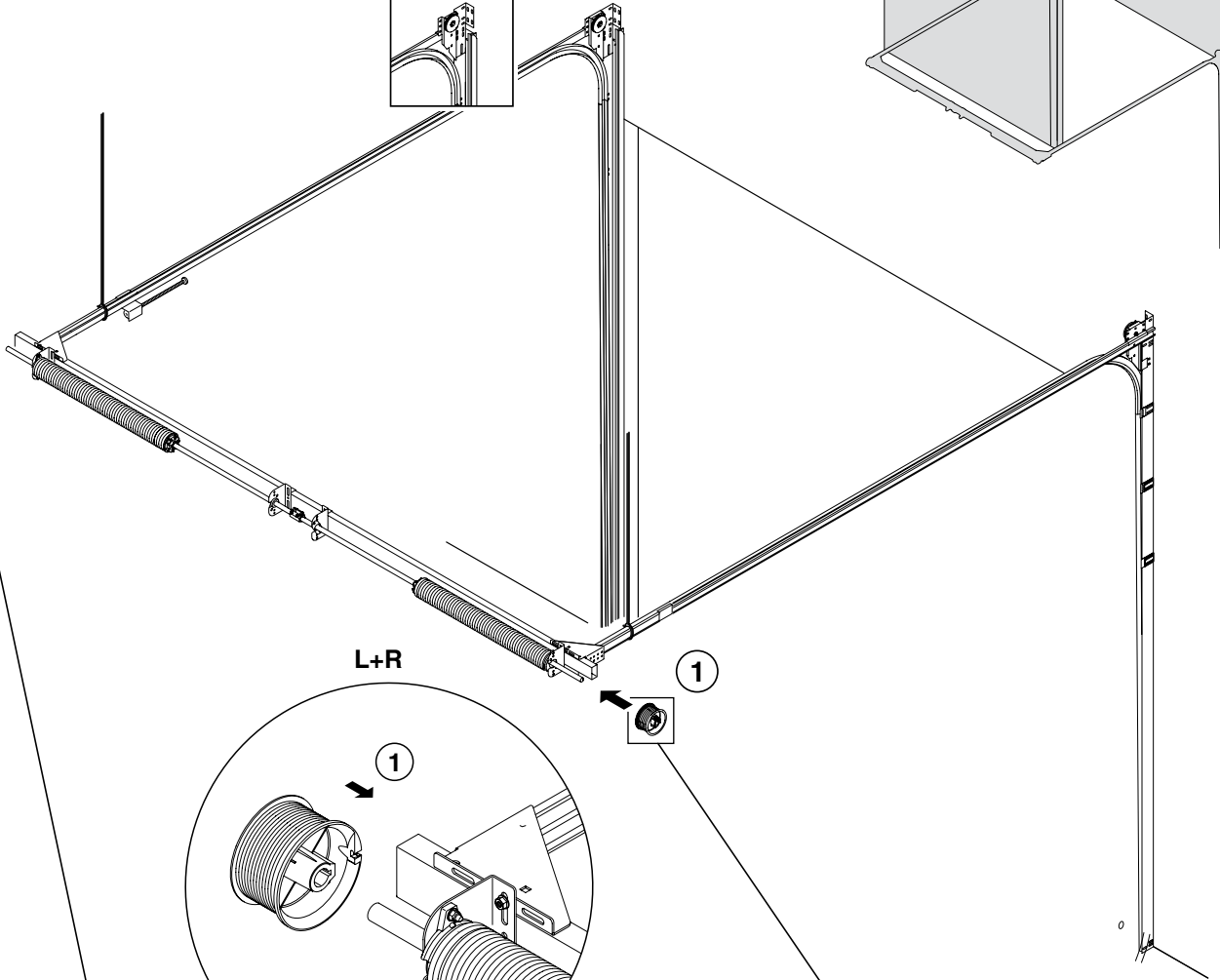
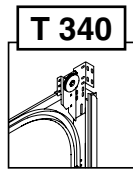
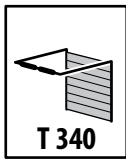
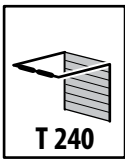
L+R

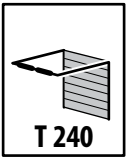


L+R

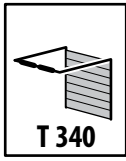




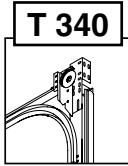




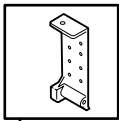
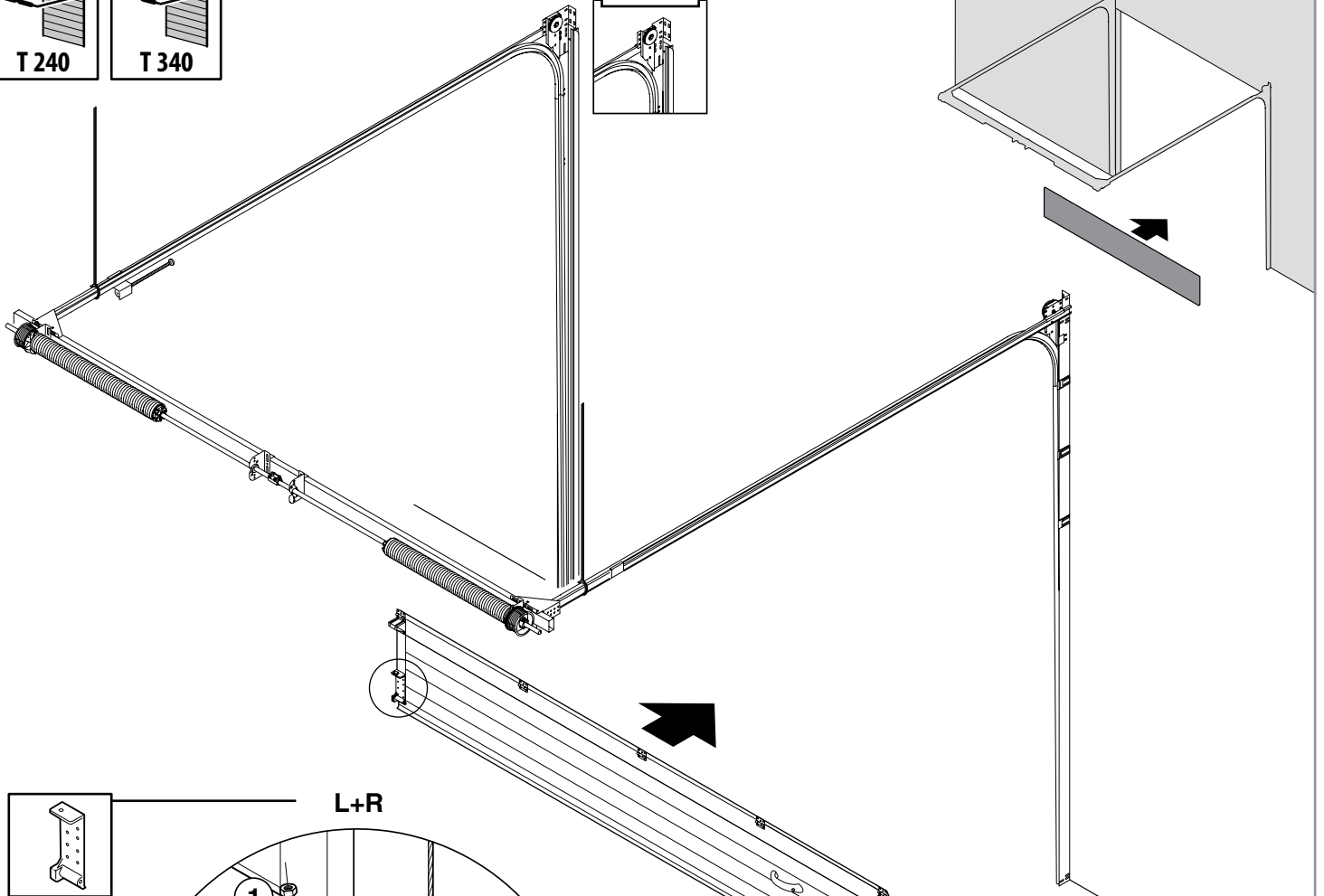
T 240



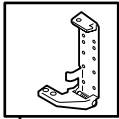
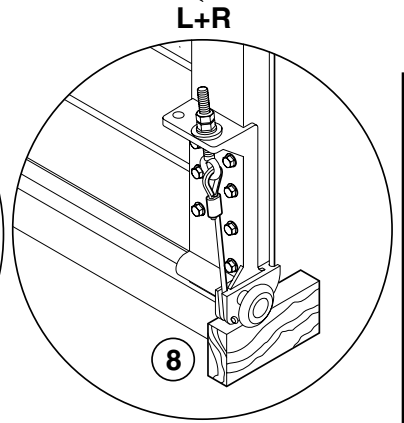
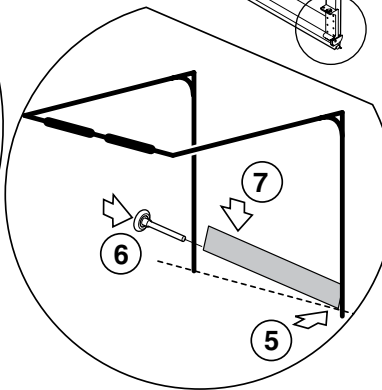
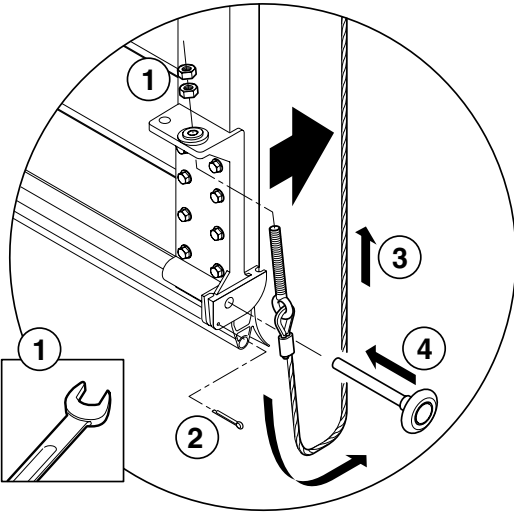
T 340



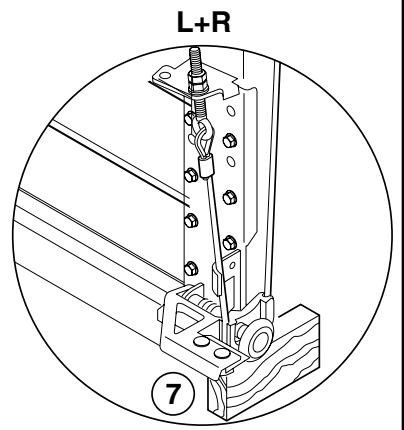
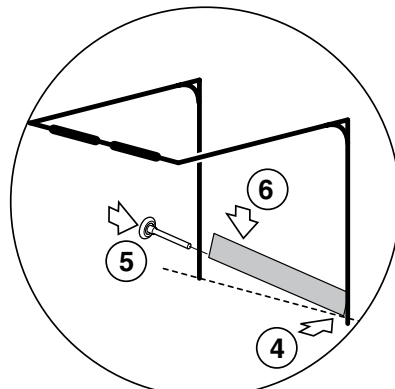
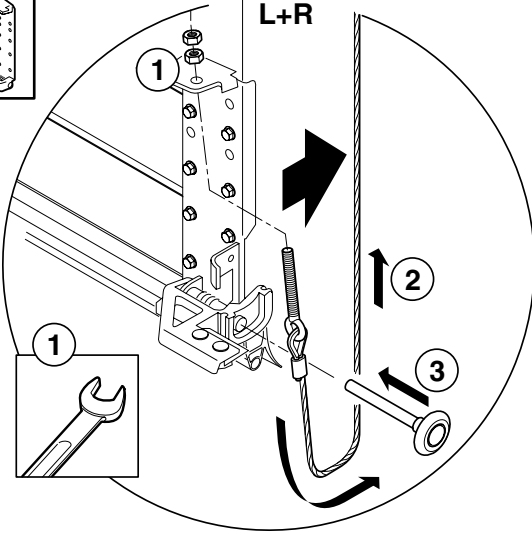
T 340

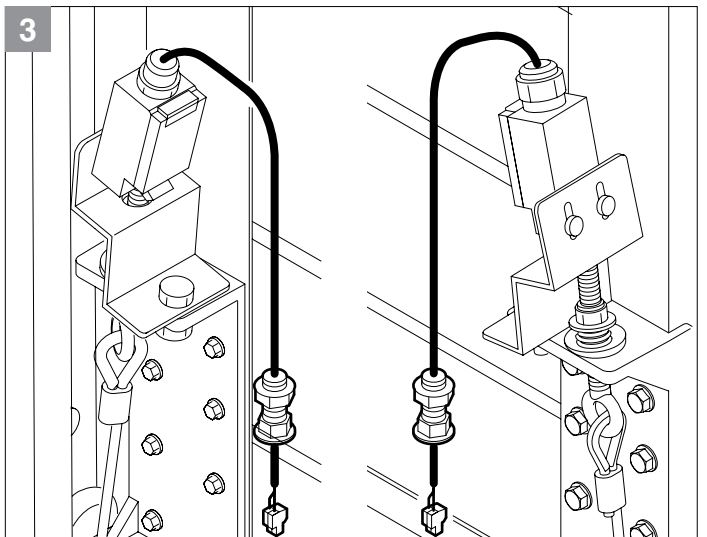
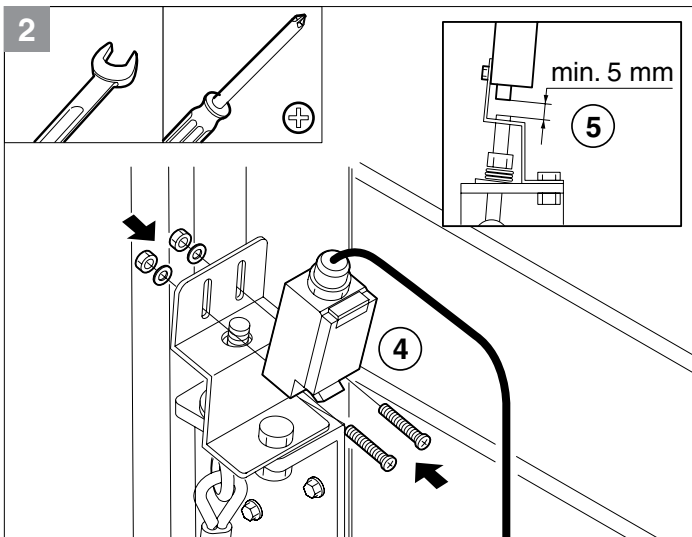
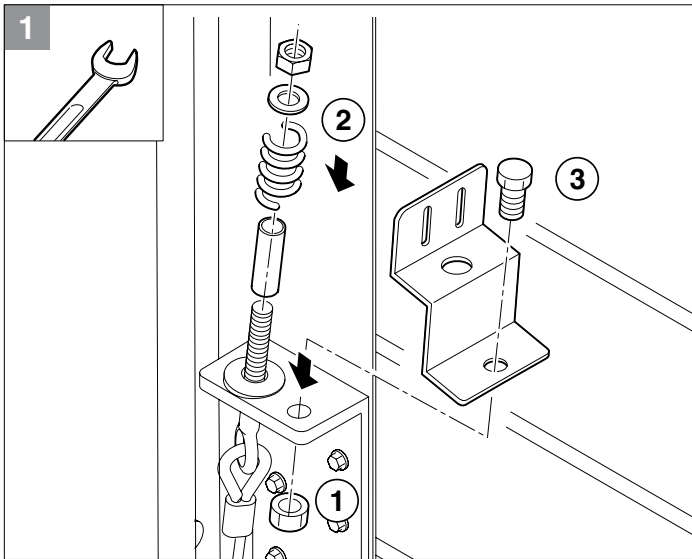
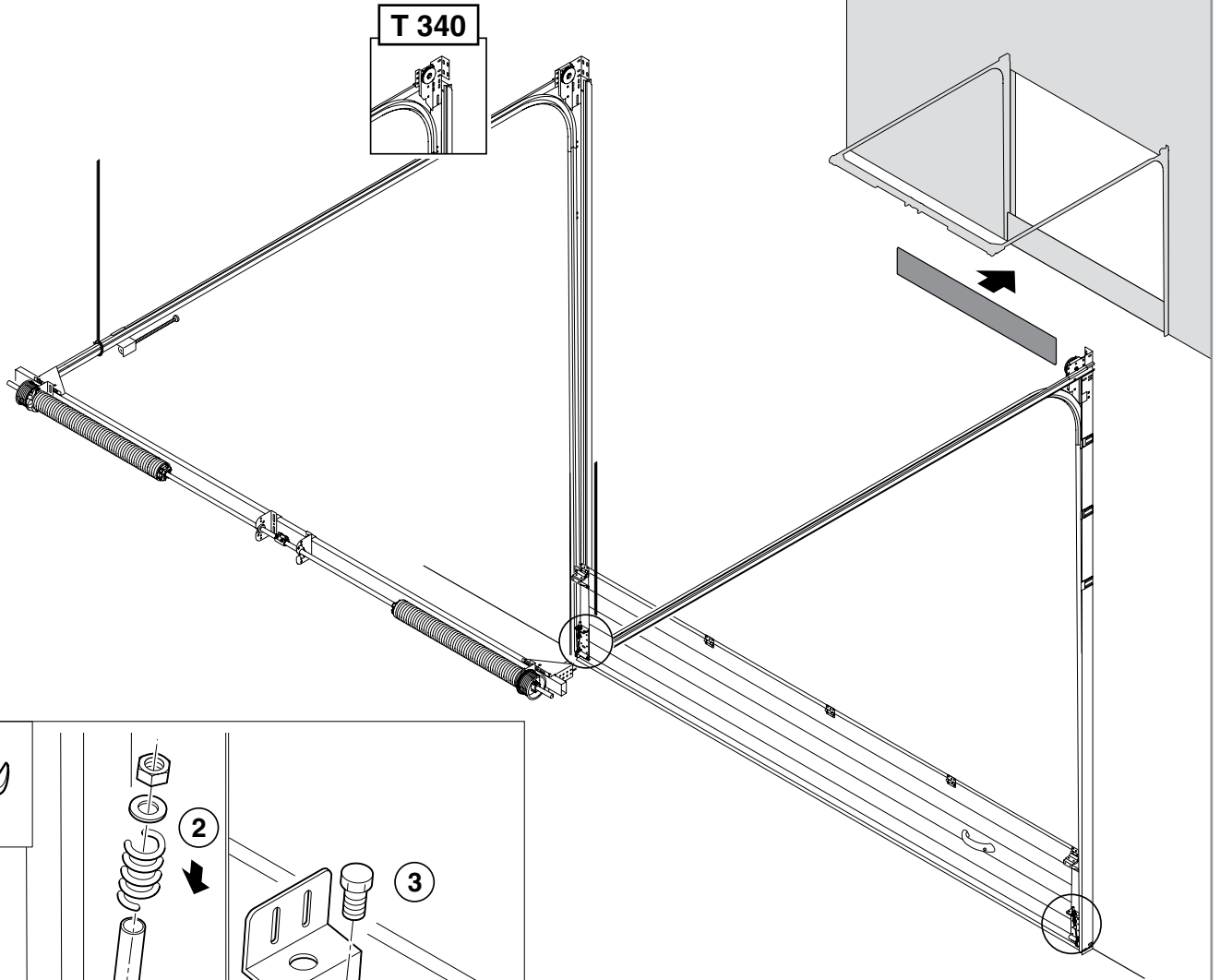
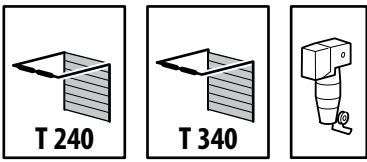


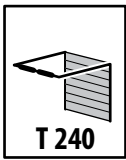
L+R



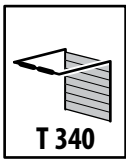
L+R



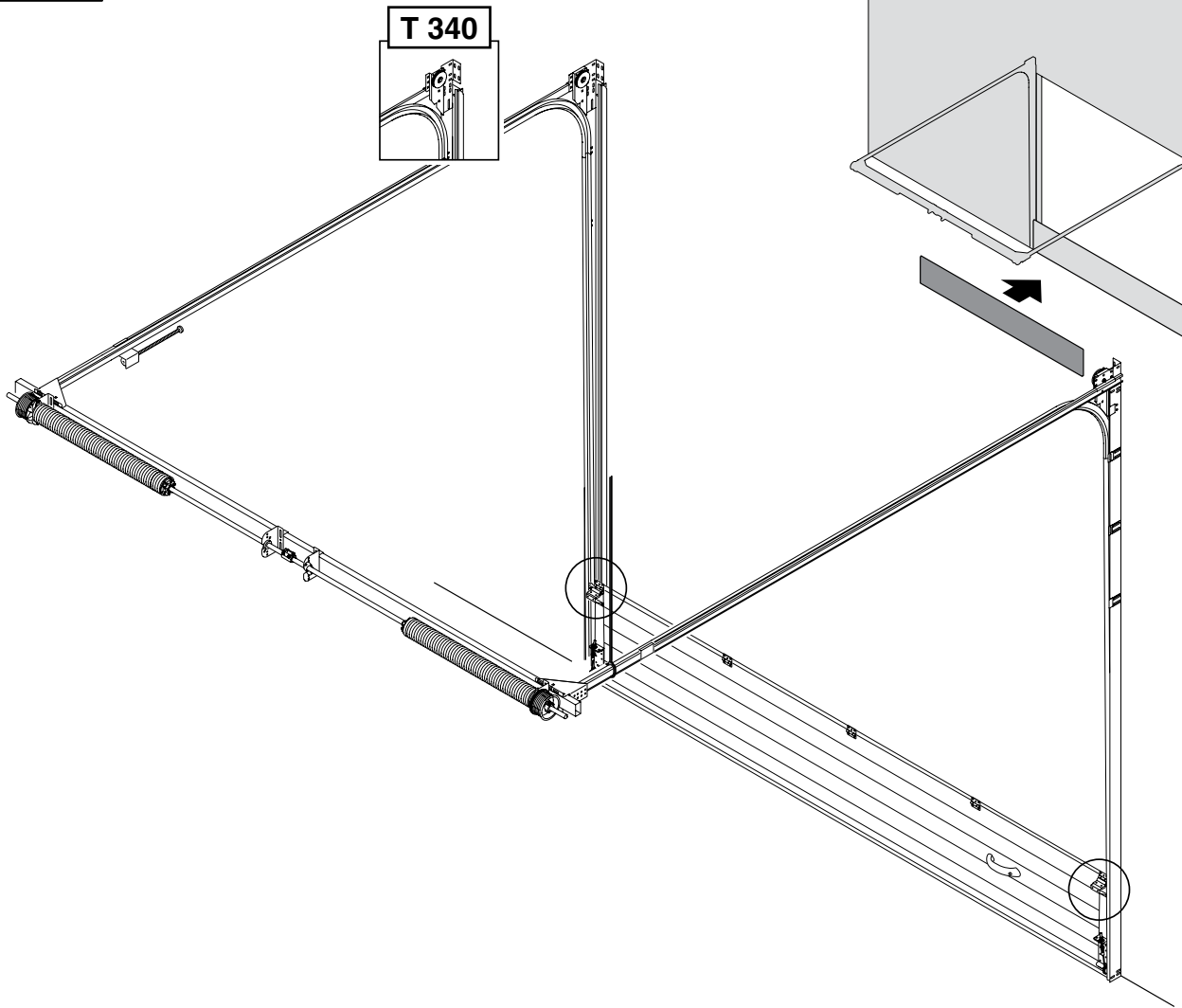




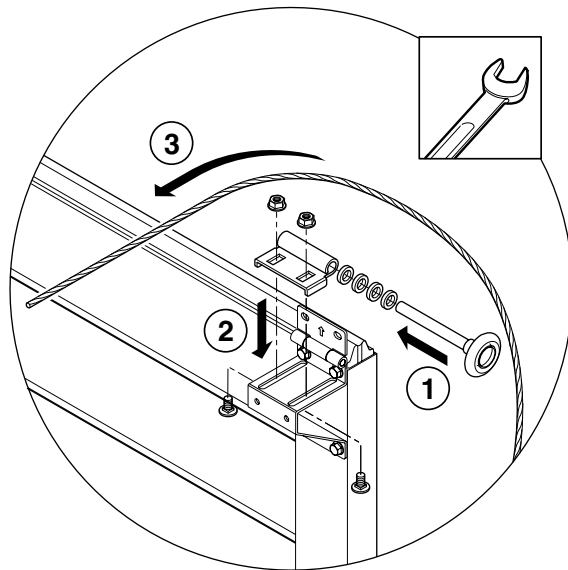
T 240



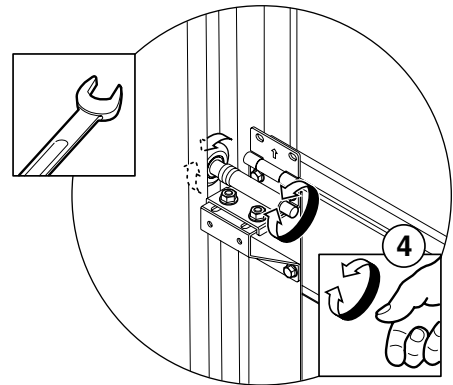
T 340

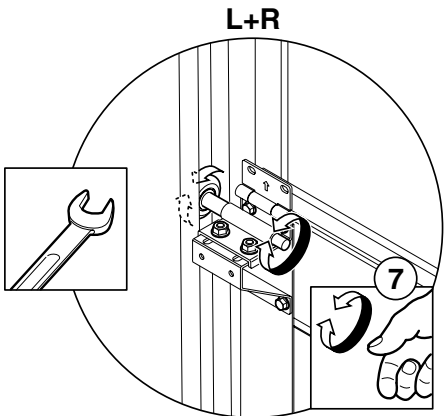
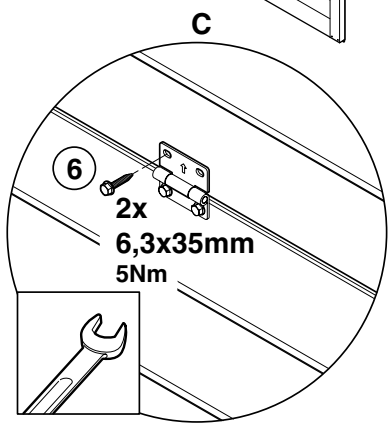
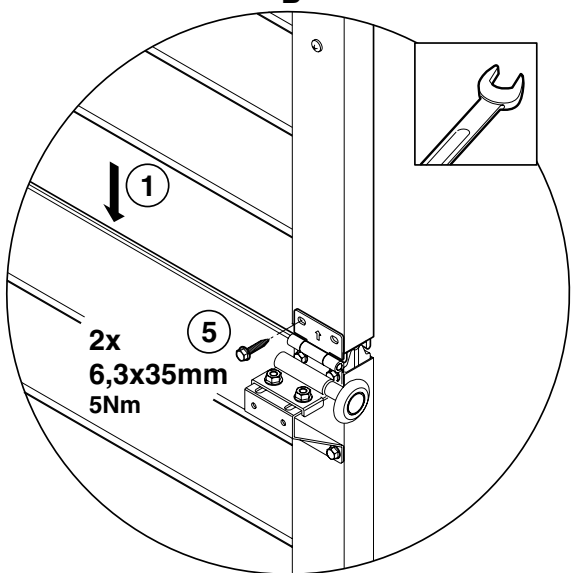
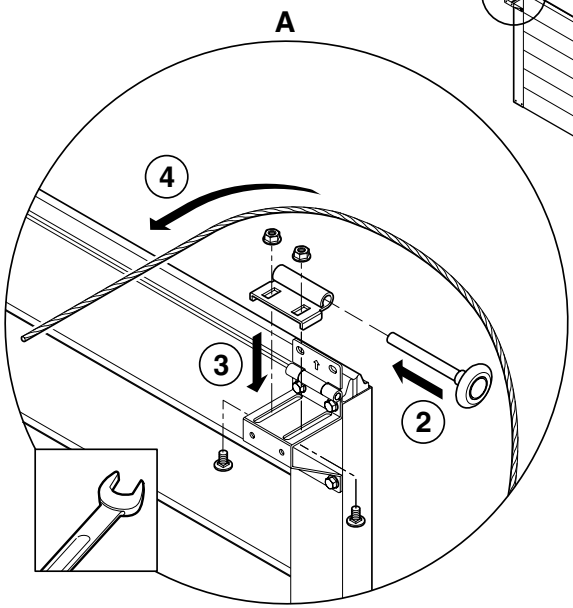
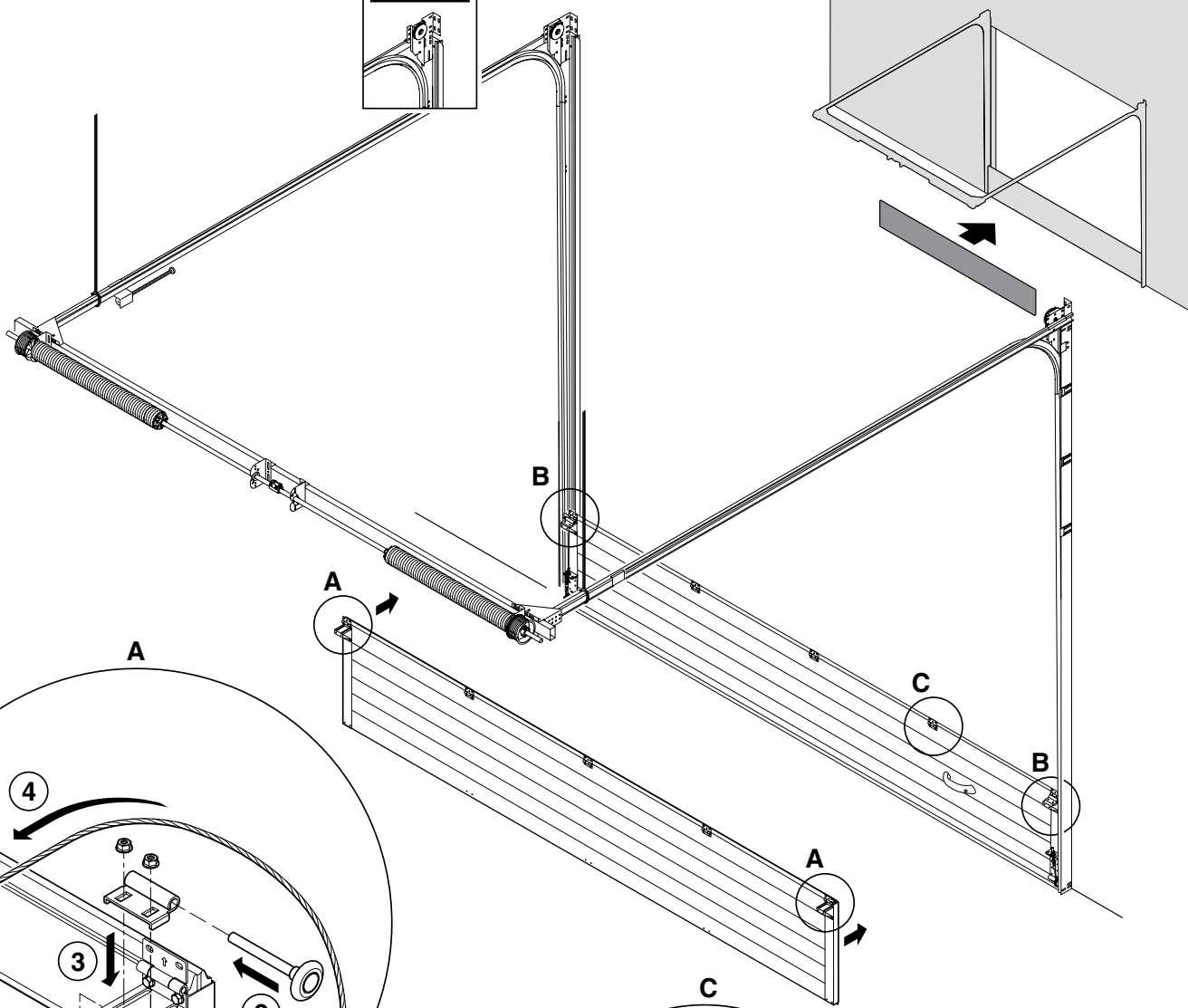
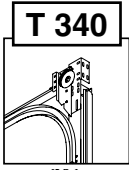
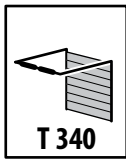
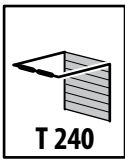


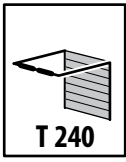
L+R



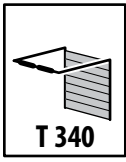
L+R



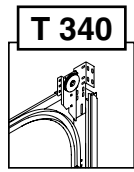




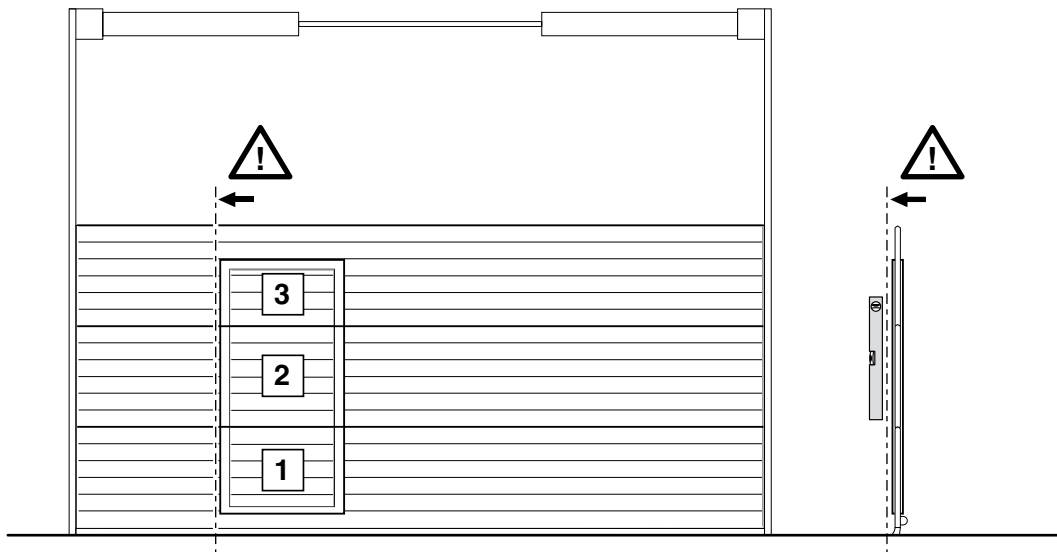
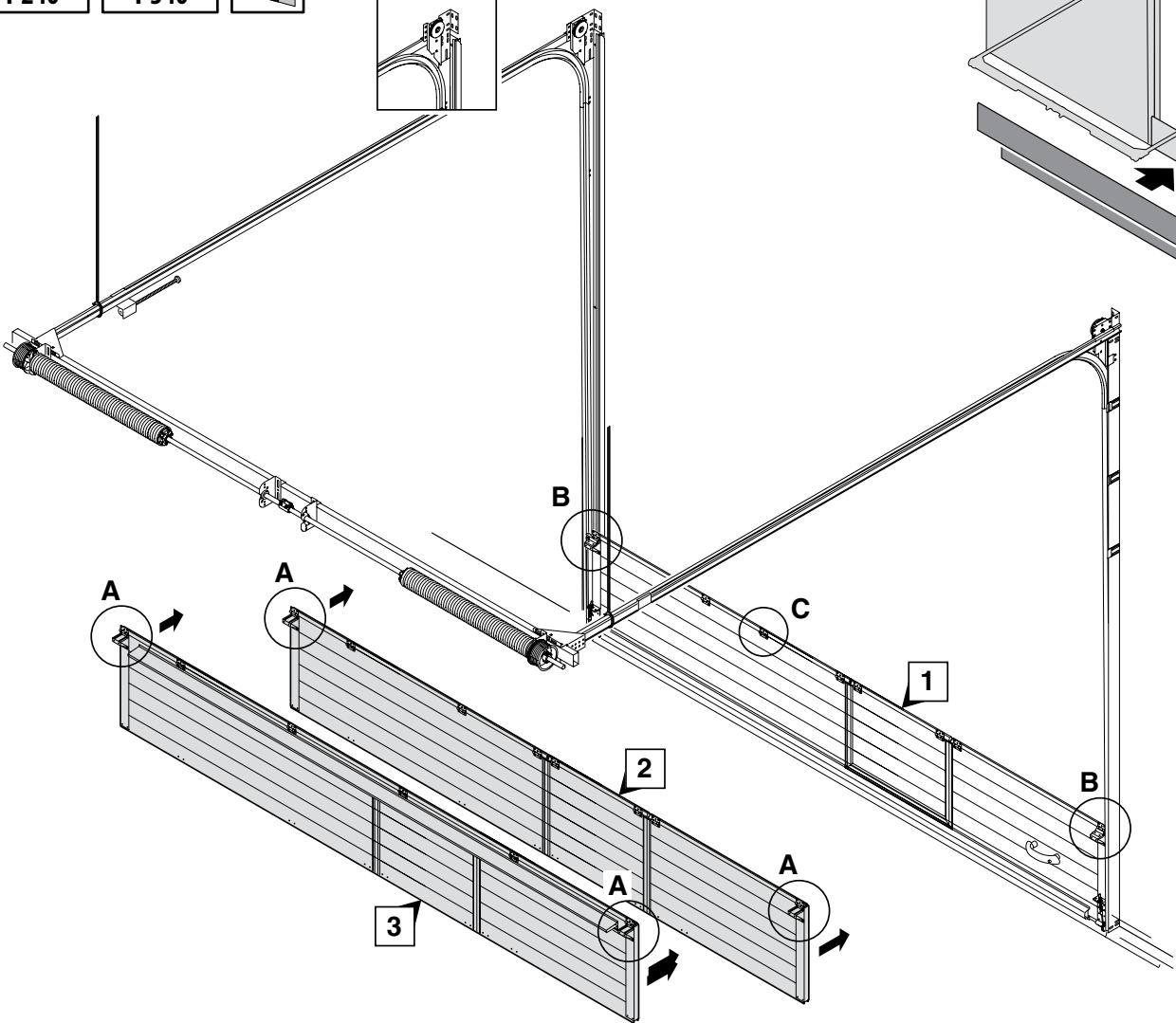
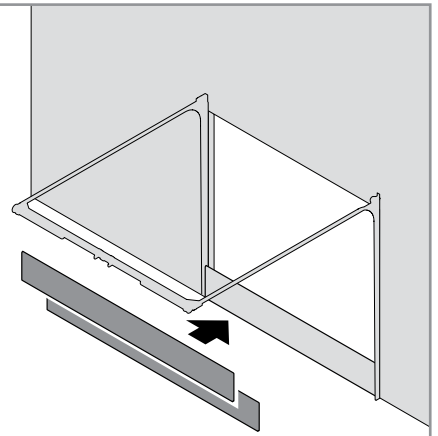
T 240

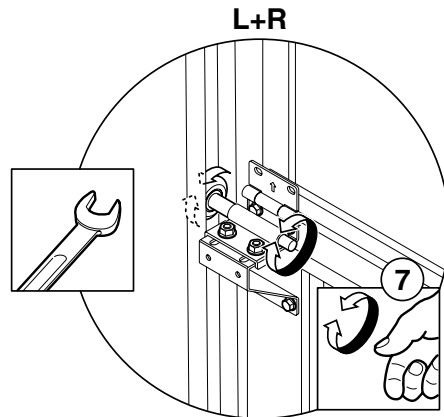
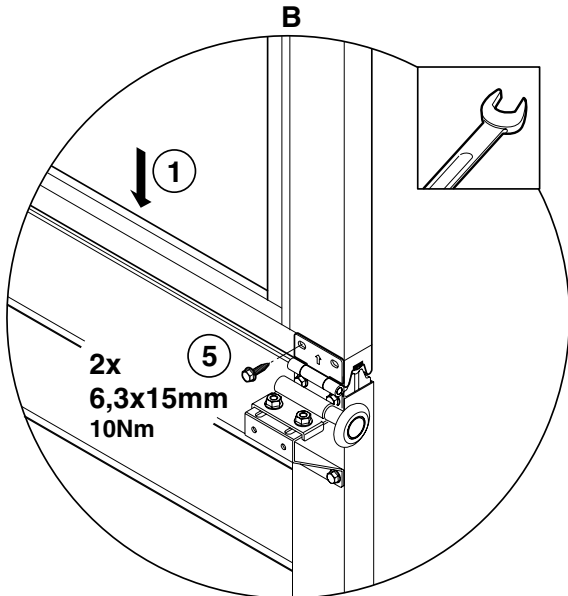
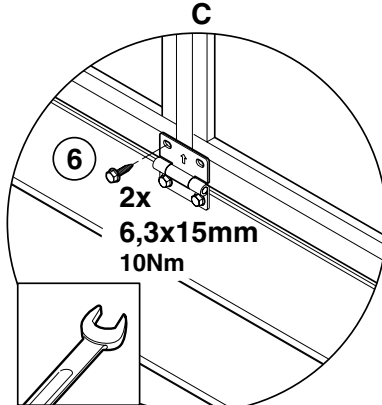
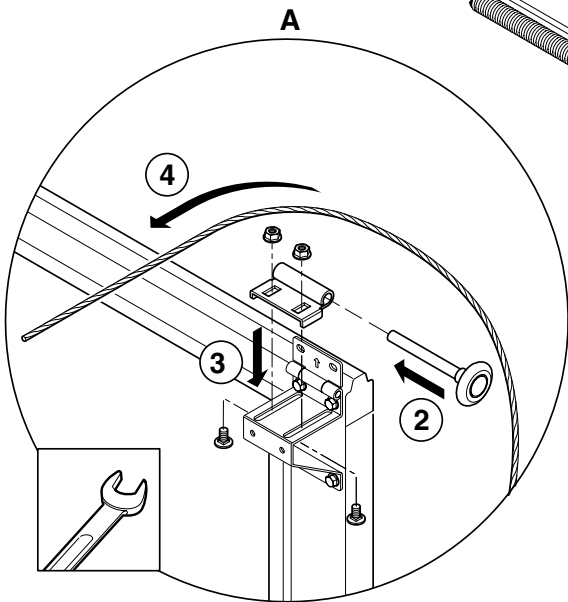
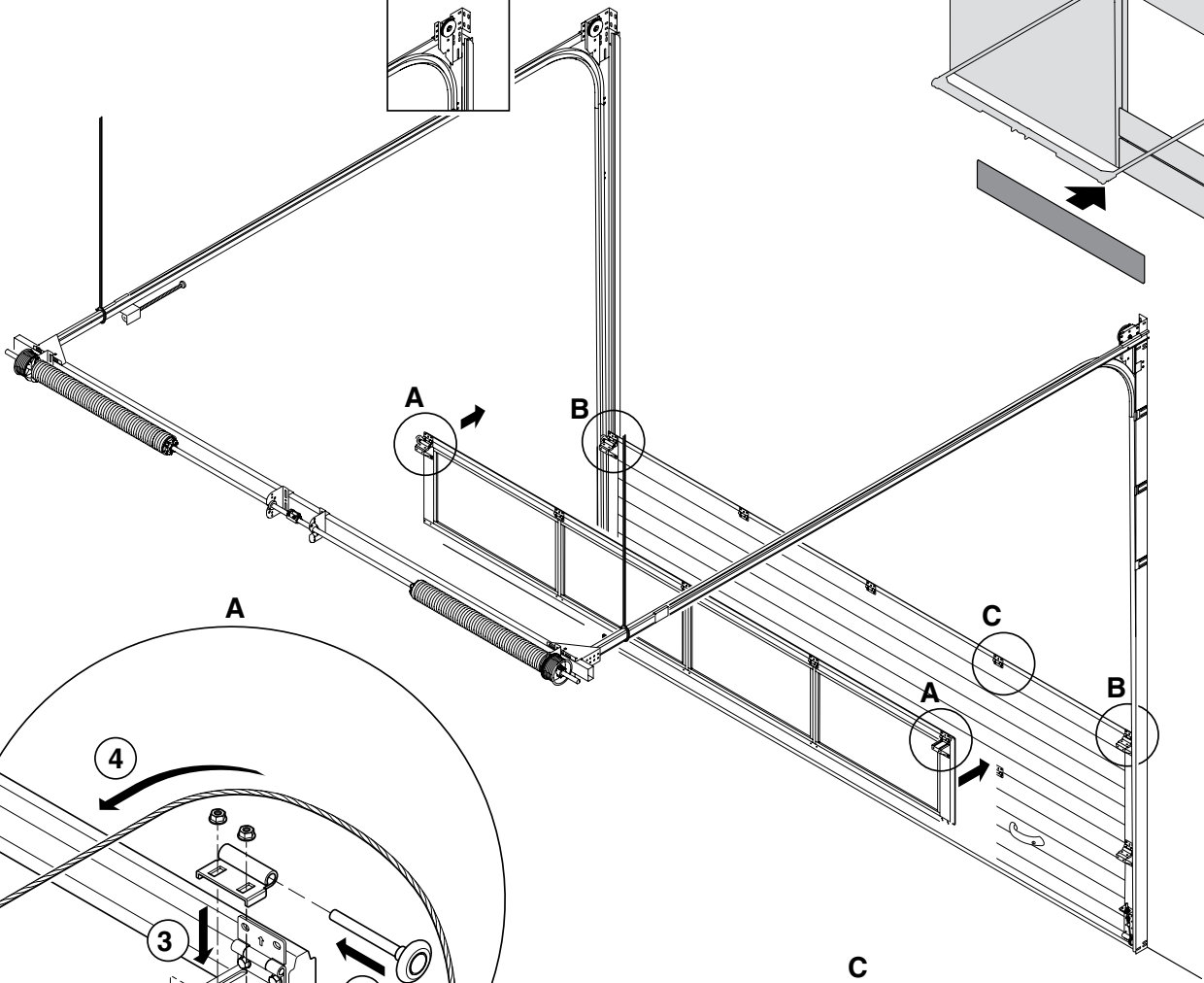
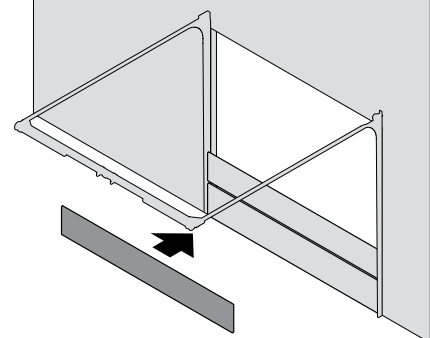
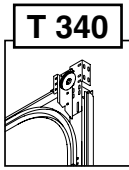
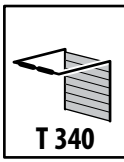
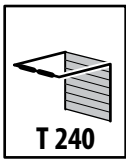


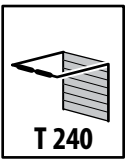
T 340



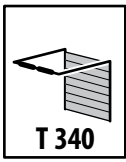
T 340



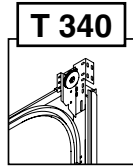
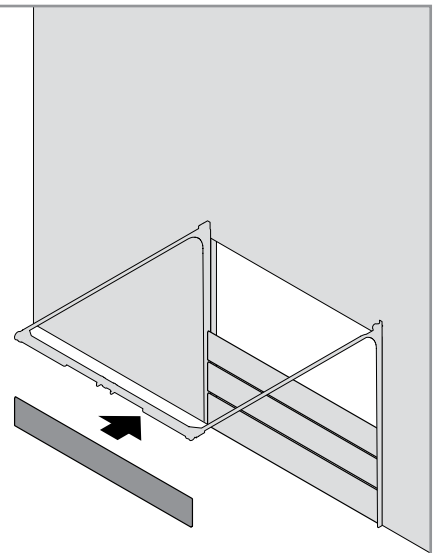




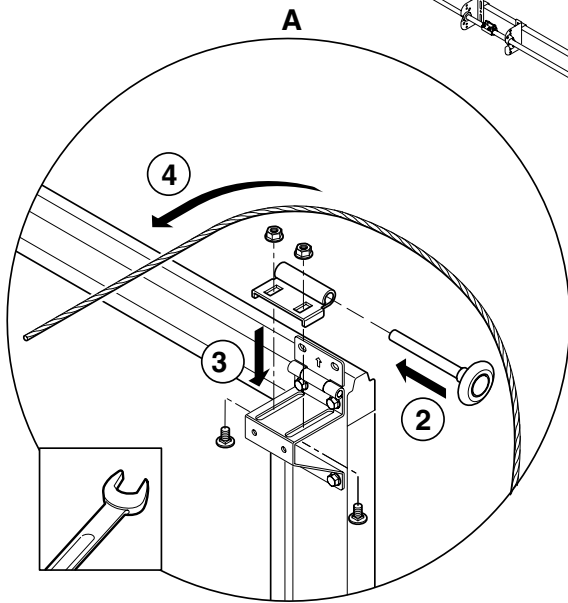
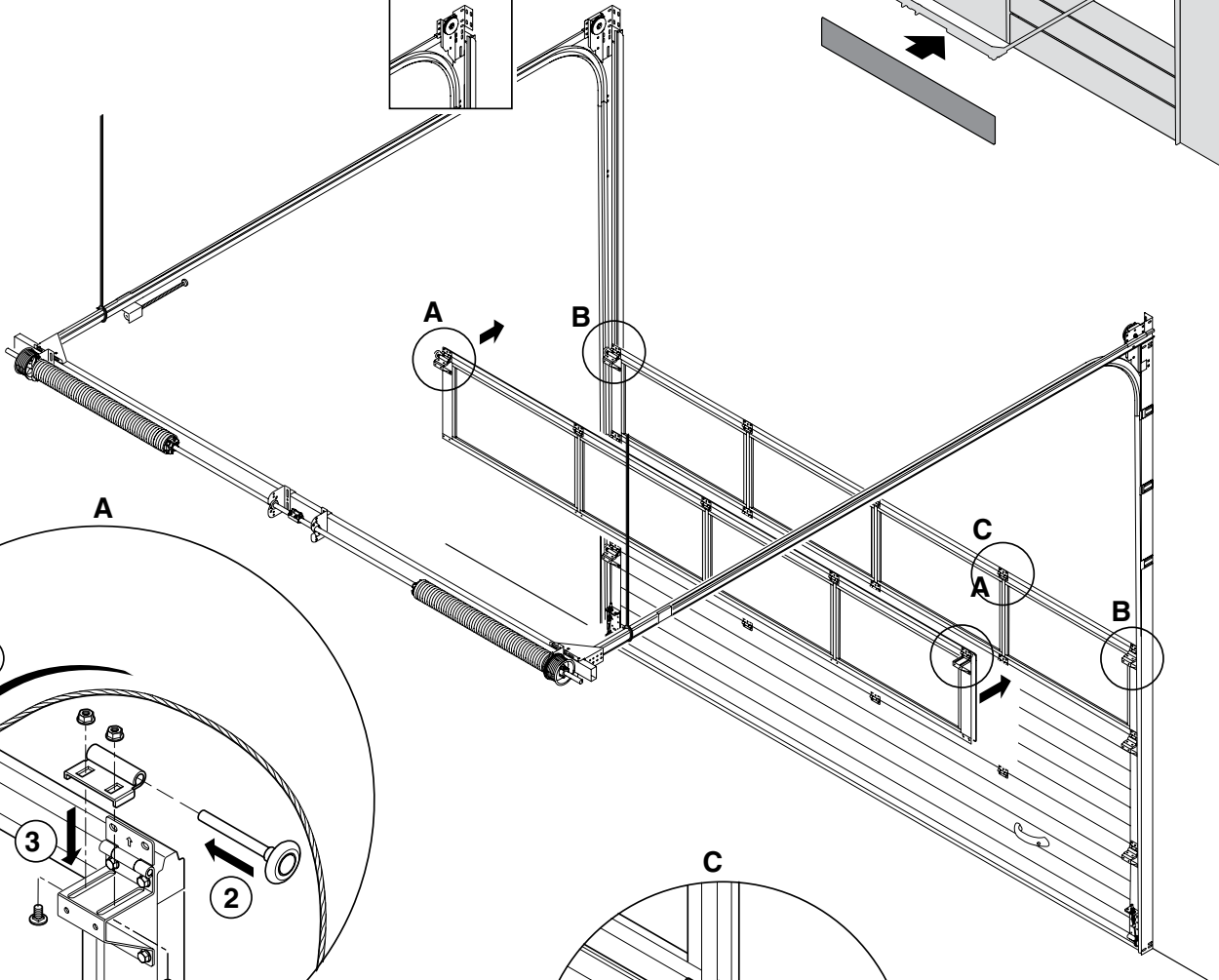
T 240



T 340



T 340



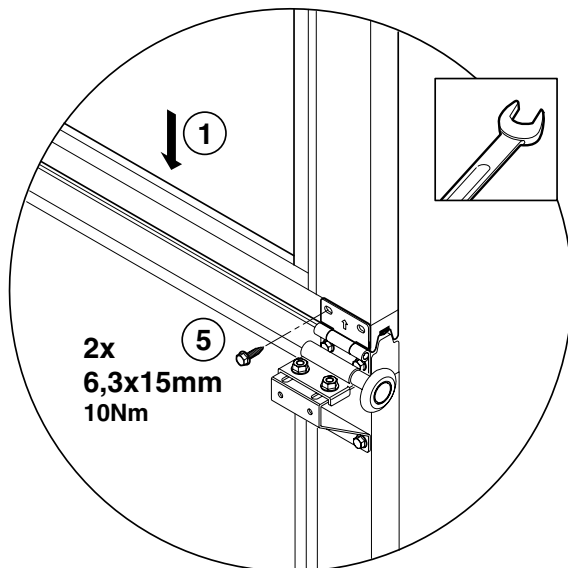
A

4

3

2

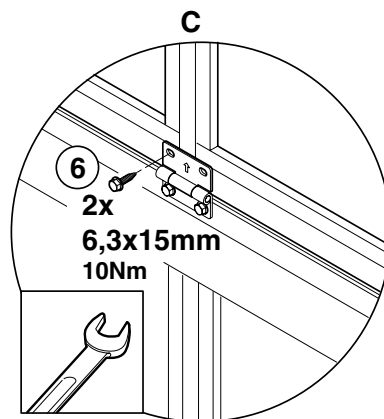
B



1

2x
6,3x15mm
10Nm

5

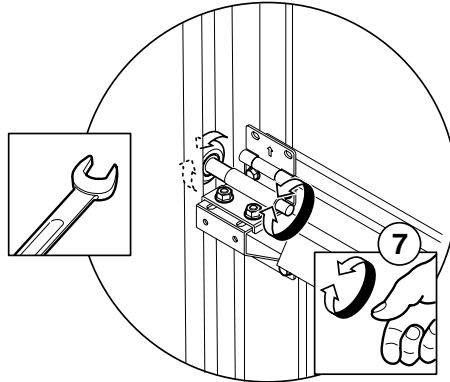


C

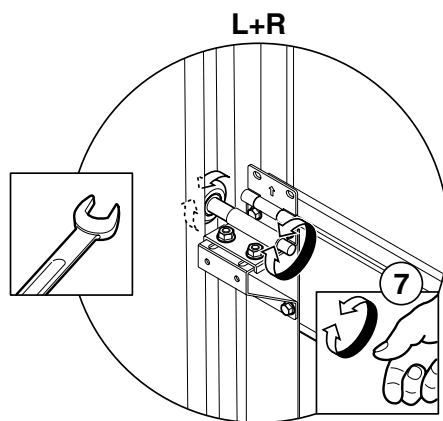
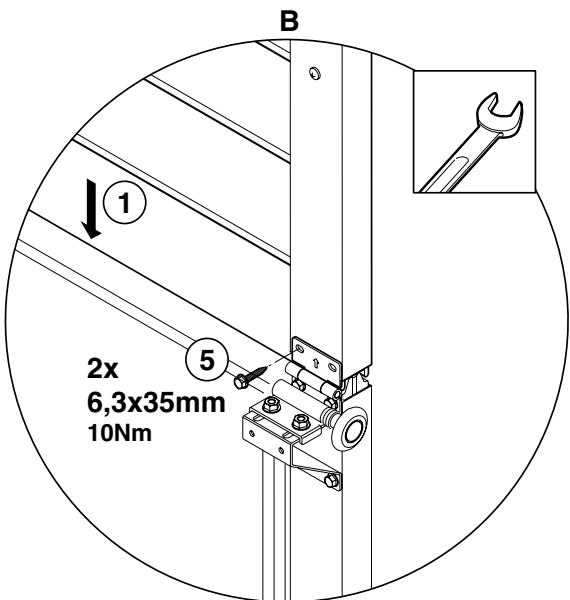
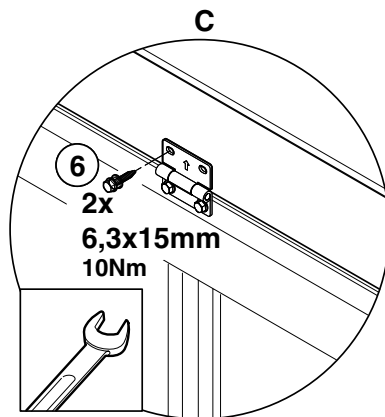
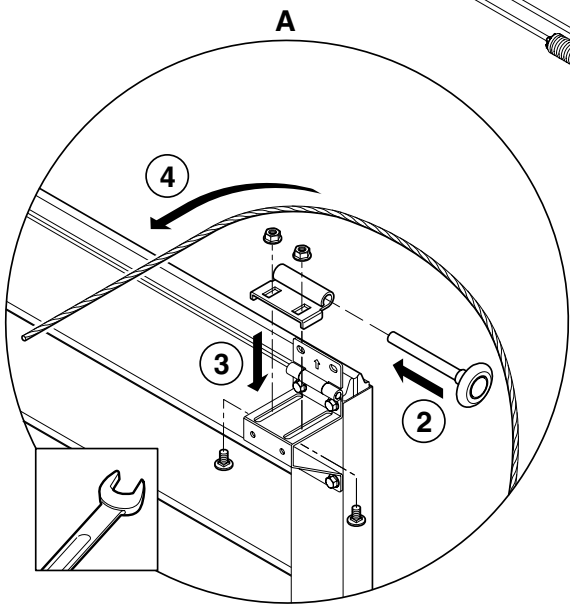
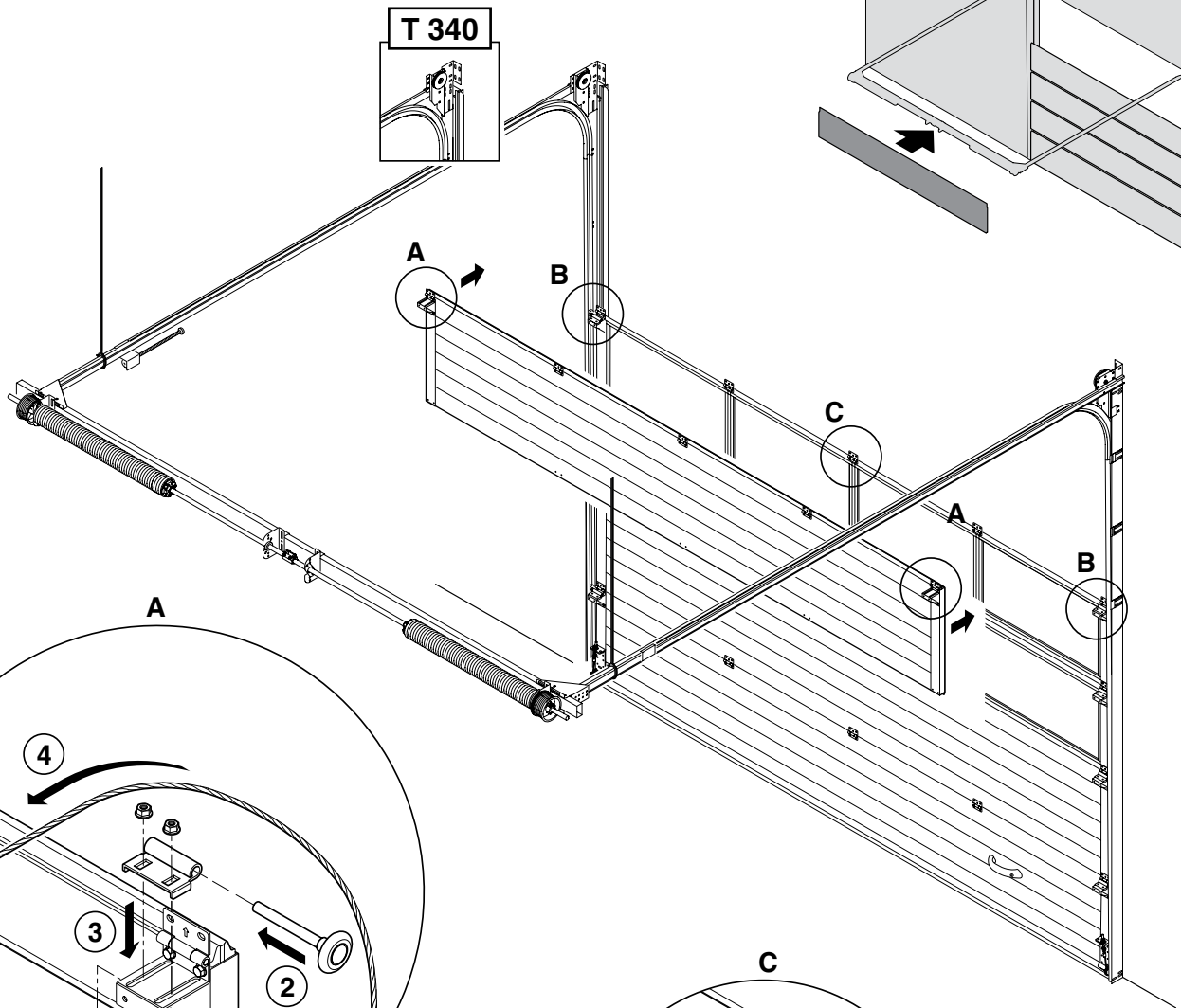
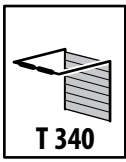
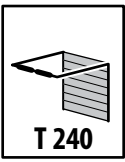
6

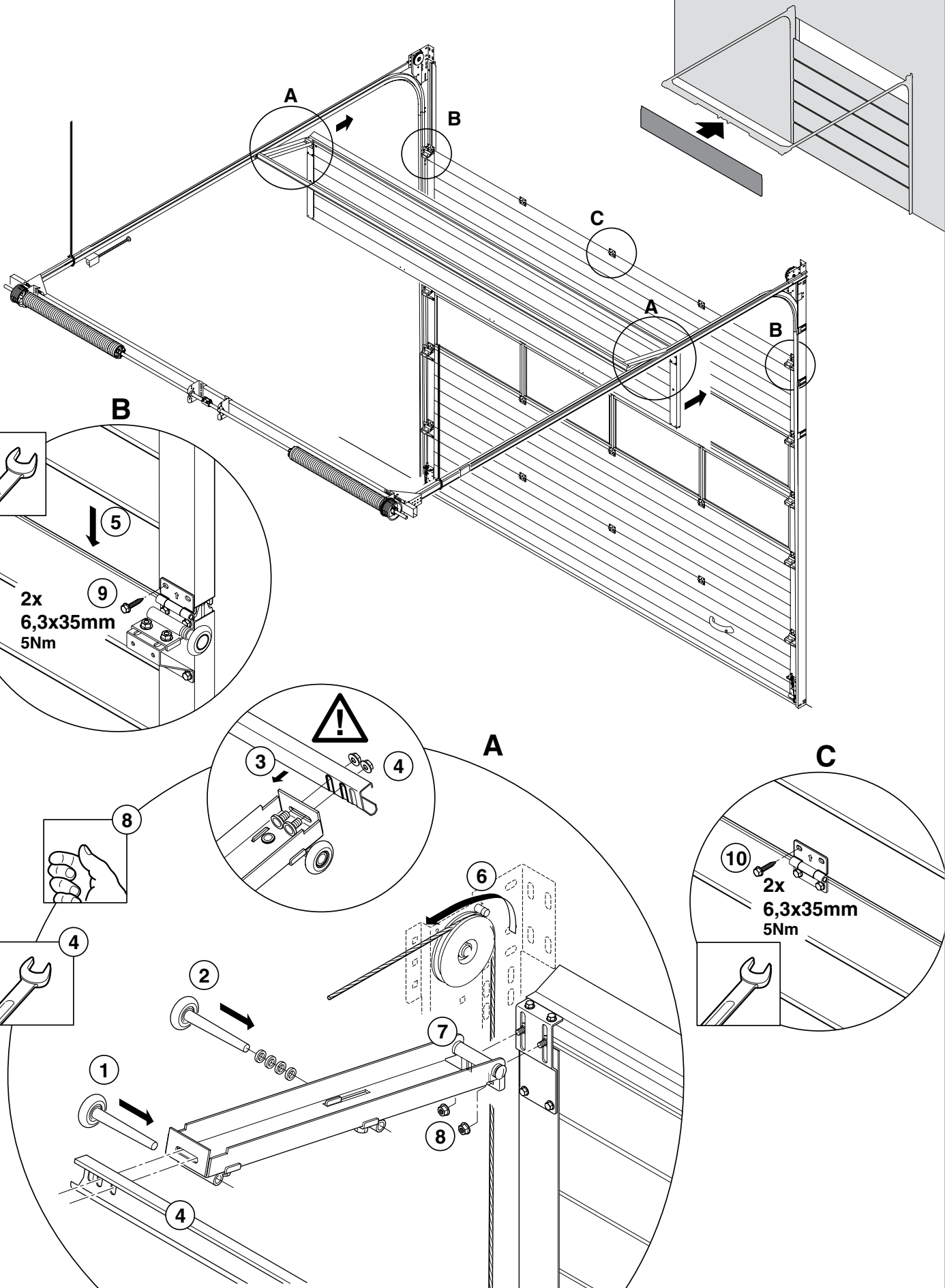
2x
6,3x15mm
10Nm

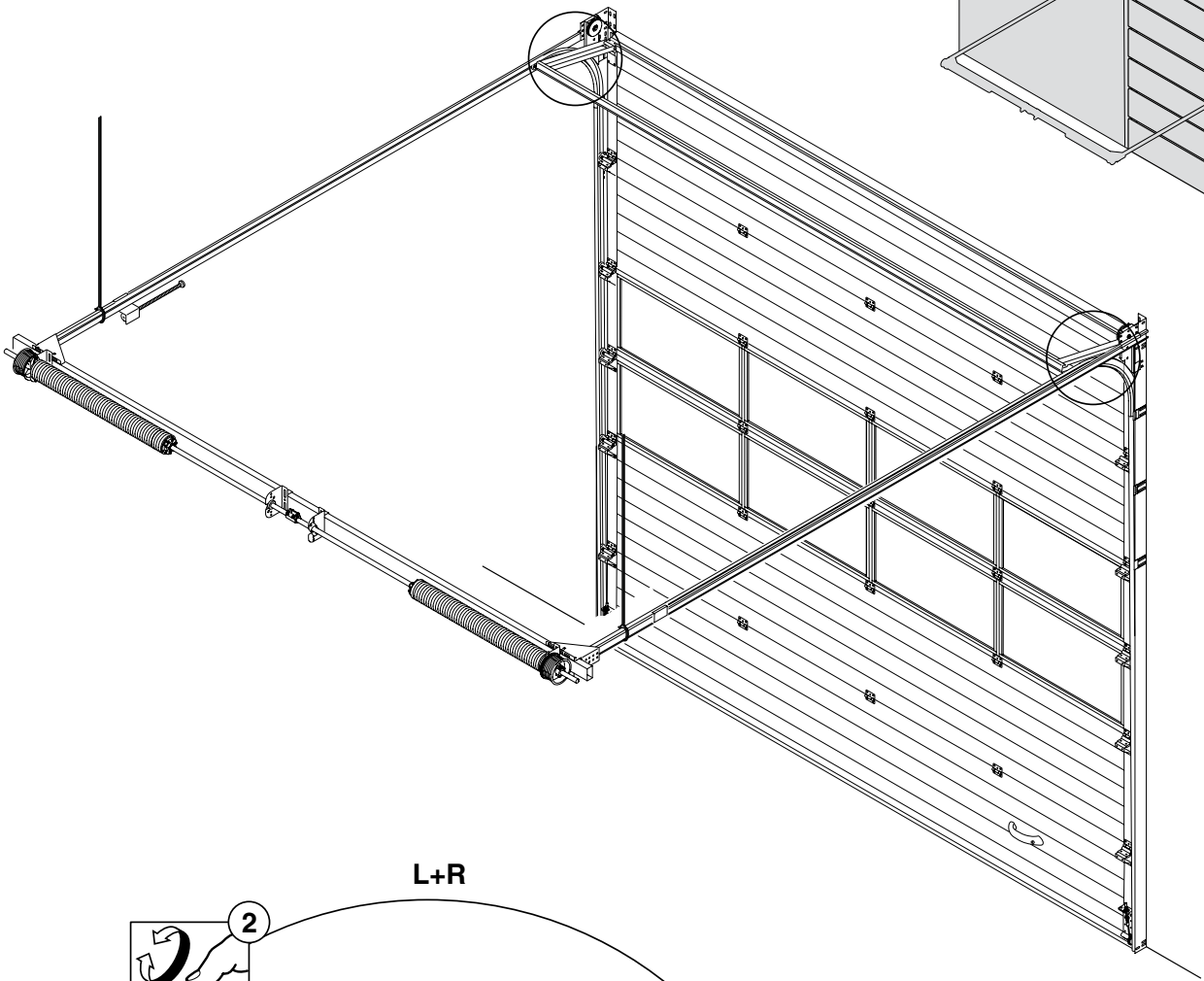
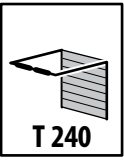
L+R



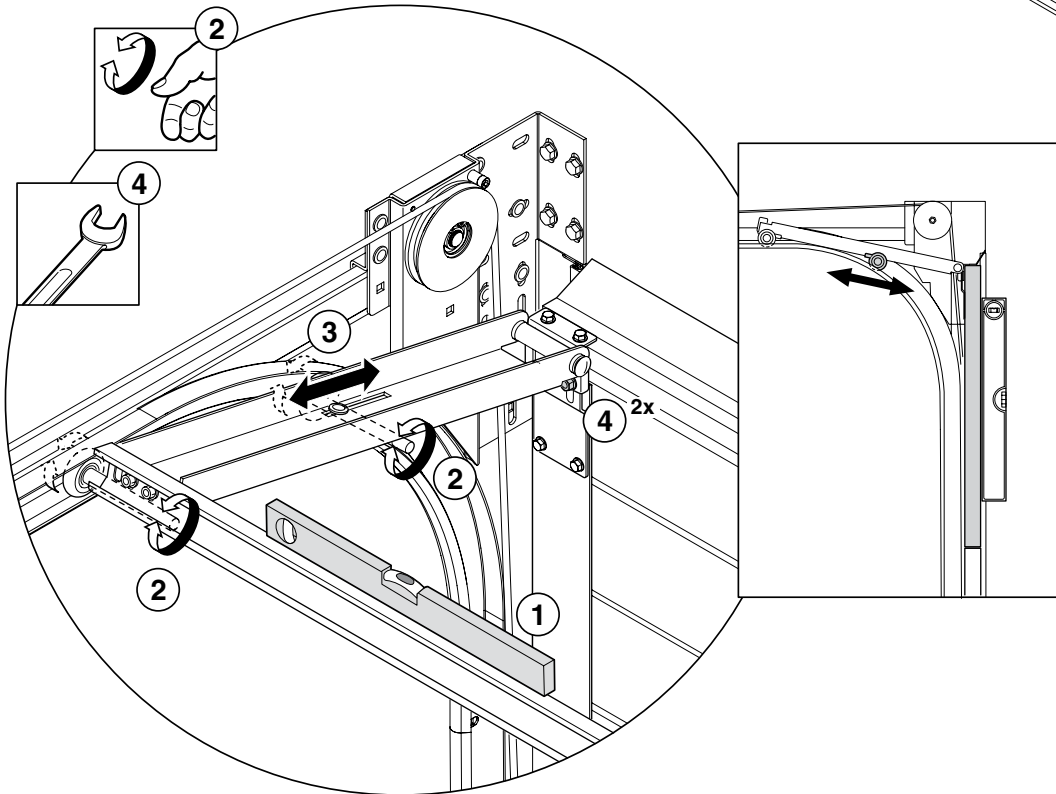
7

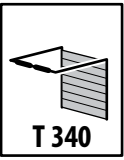




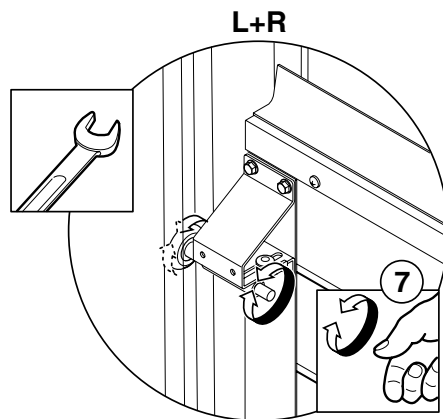
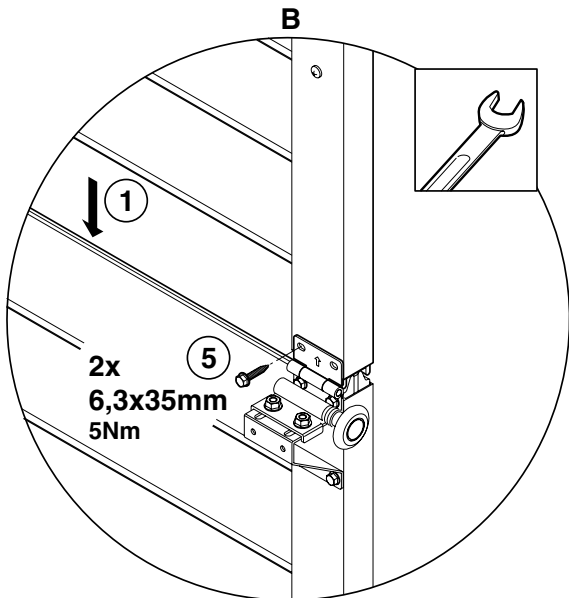
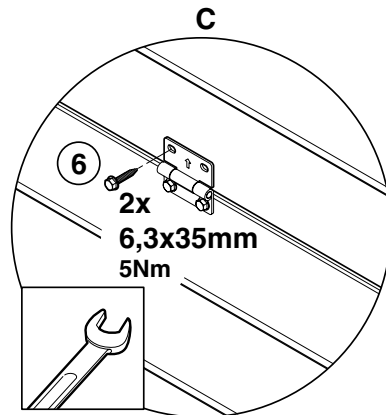
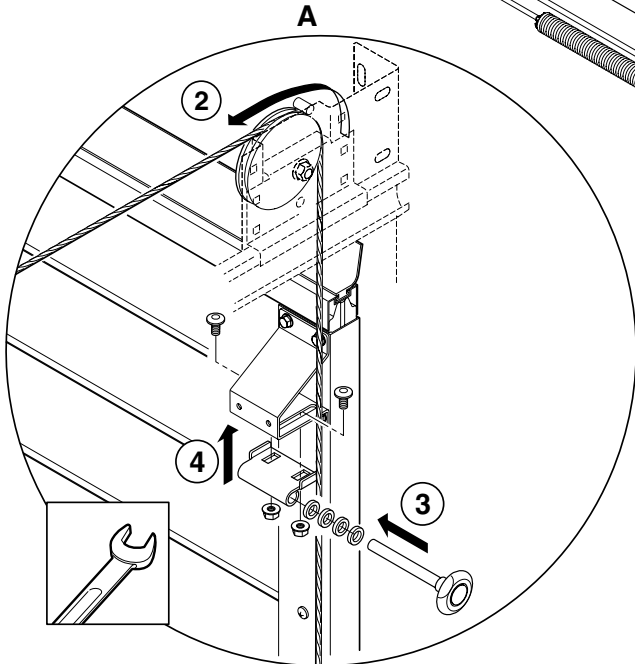
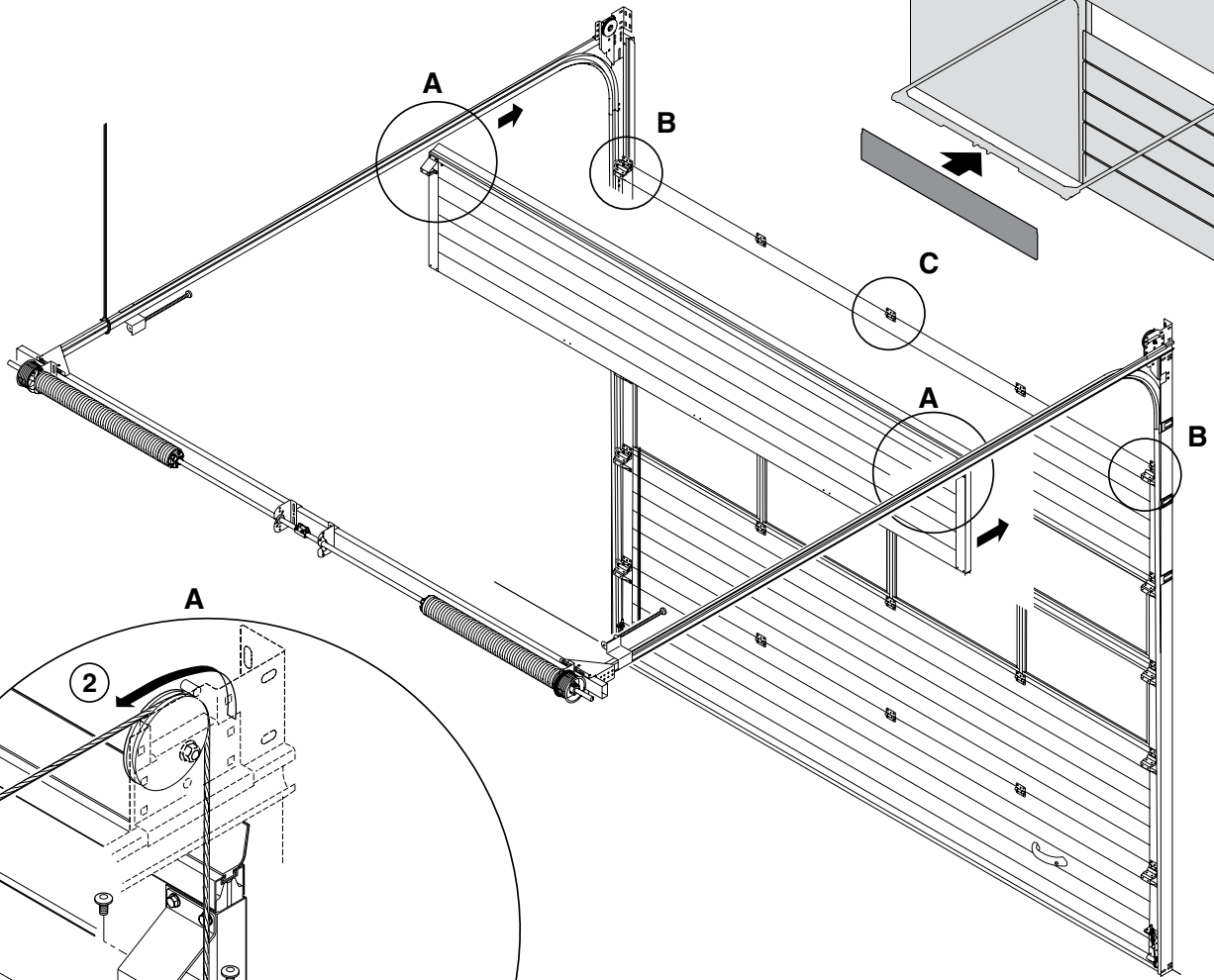


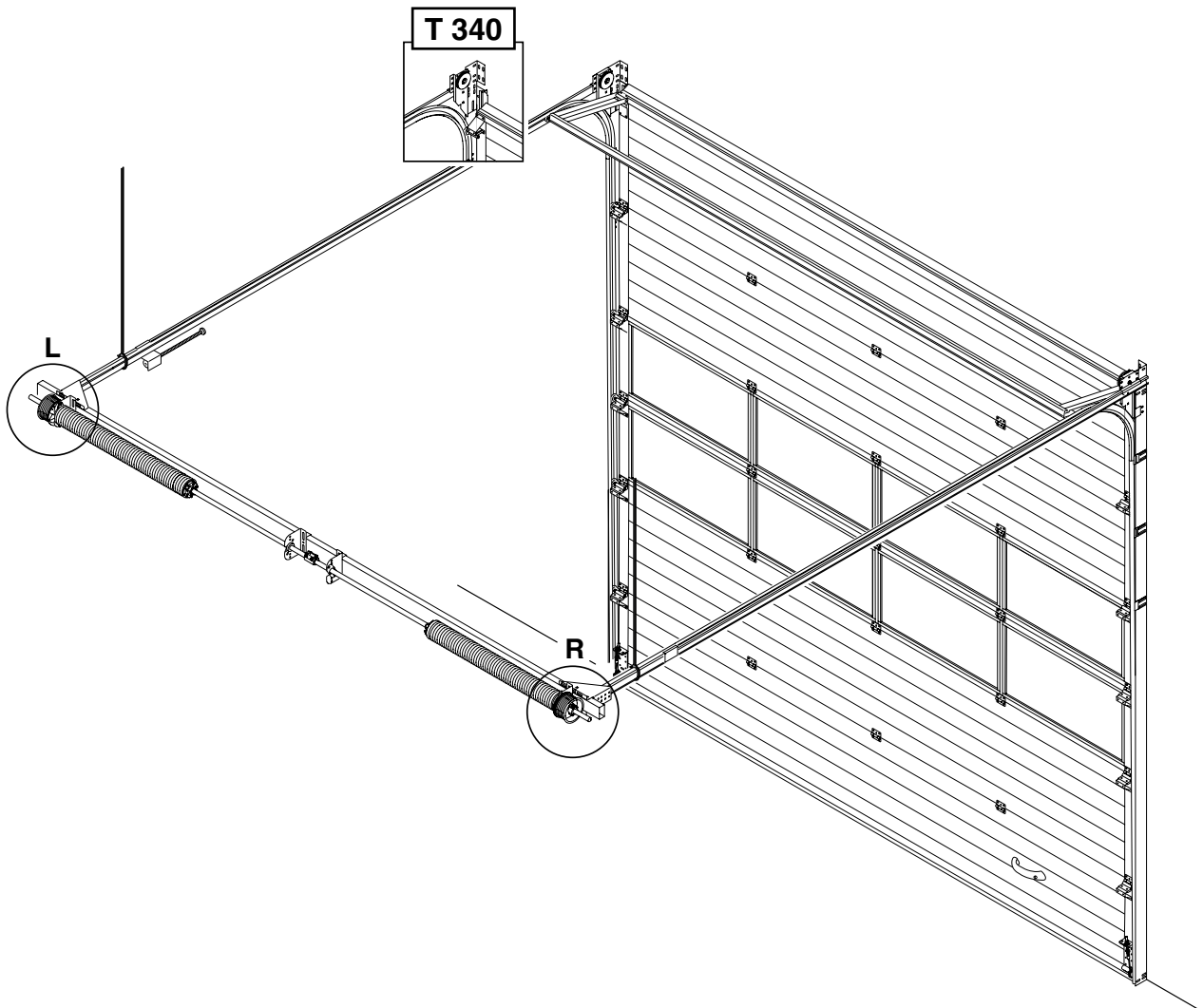
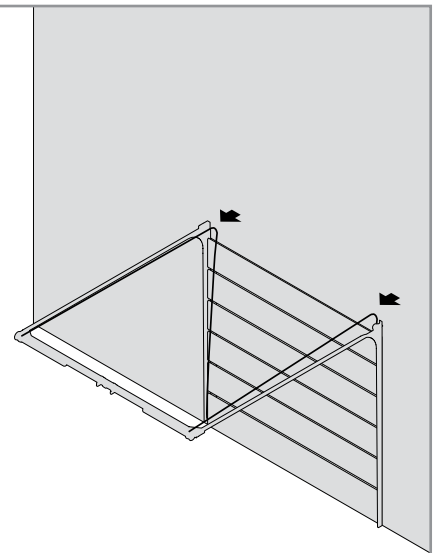
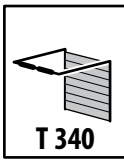
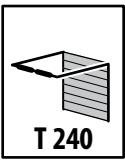
L+R

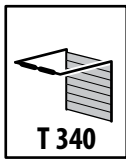
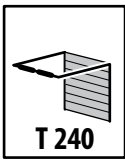




T 340

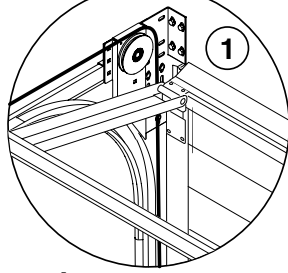






L+R

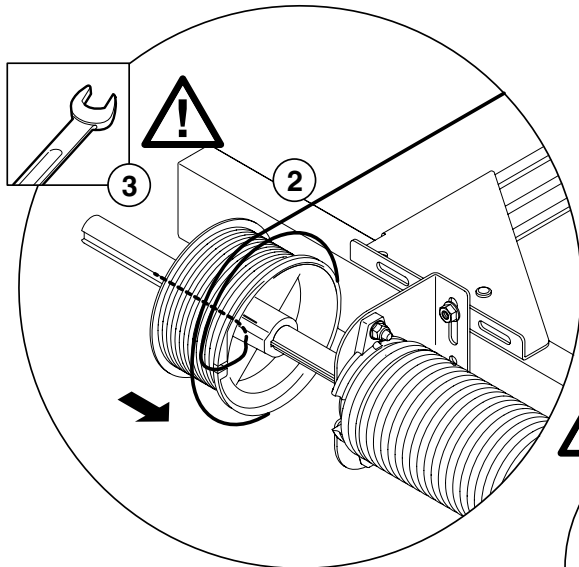
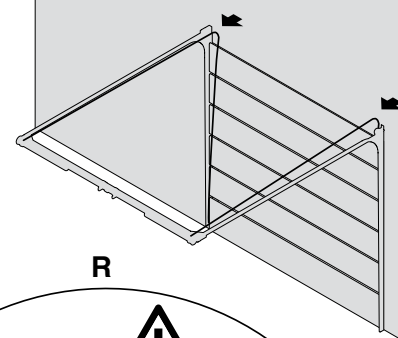
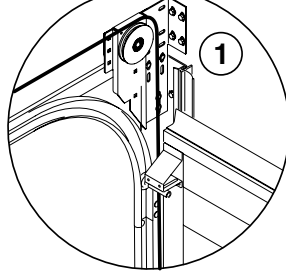
T 240



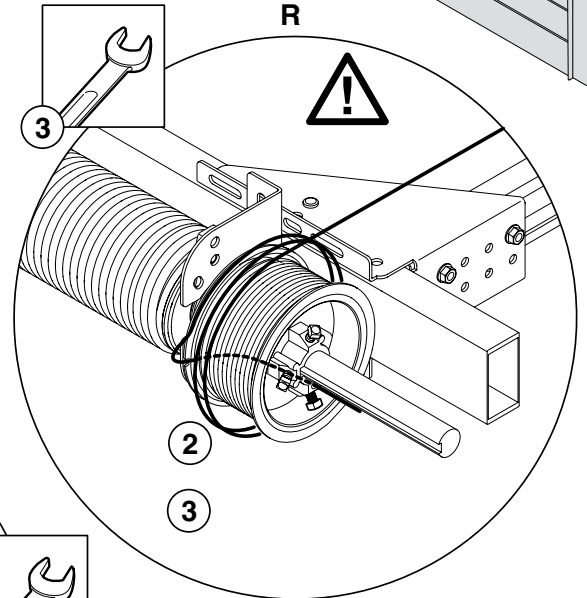
L

L+R

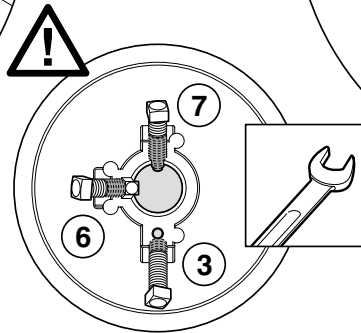
T 340



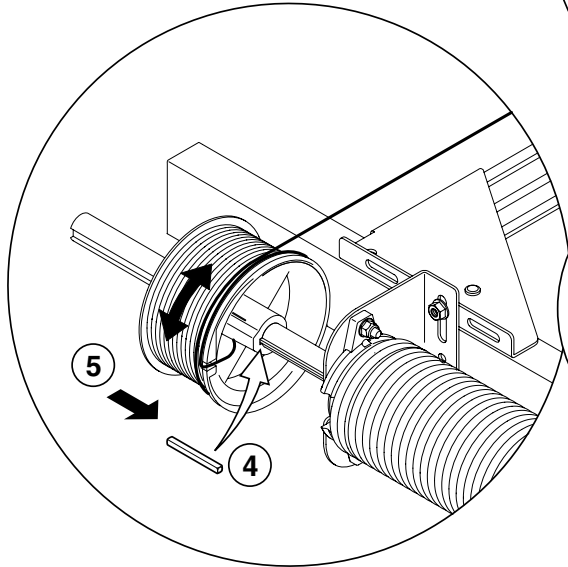
L



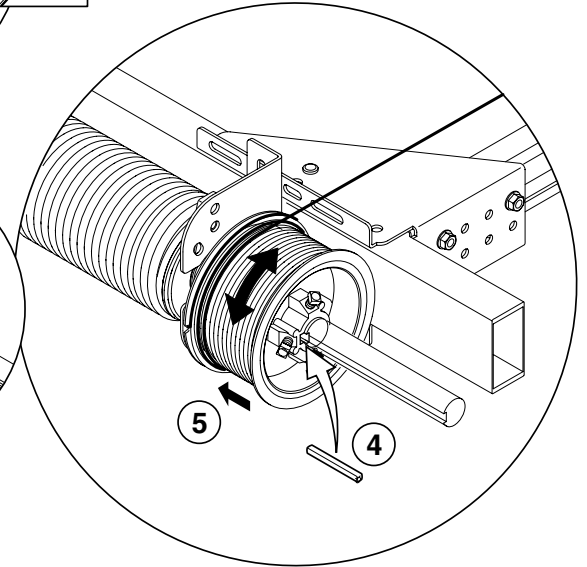
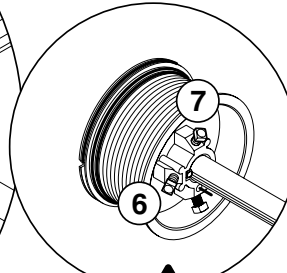
R



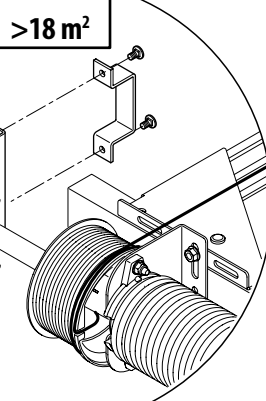
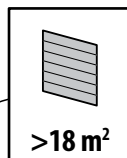
R

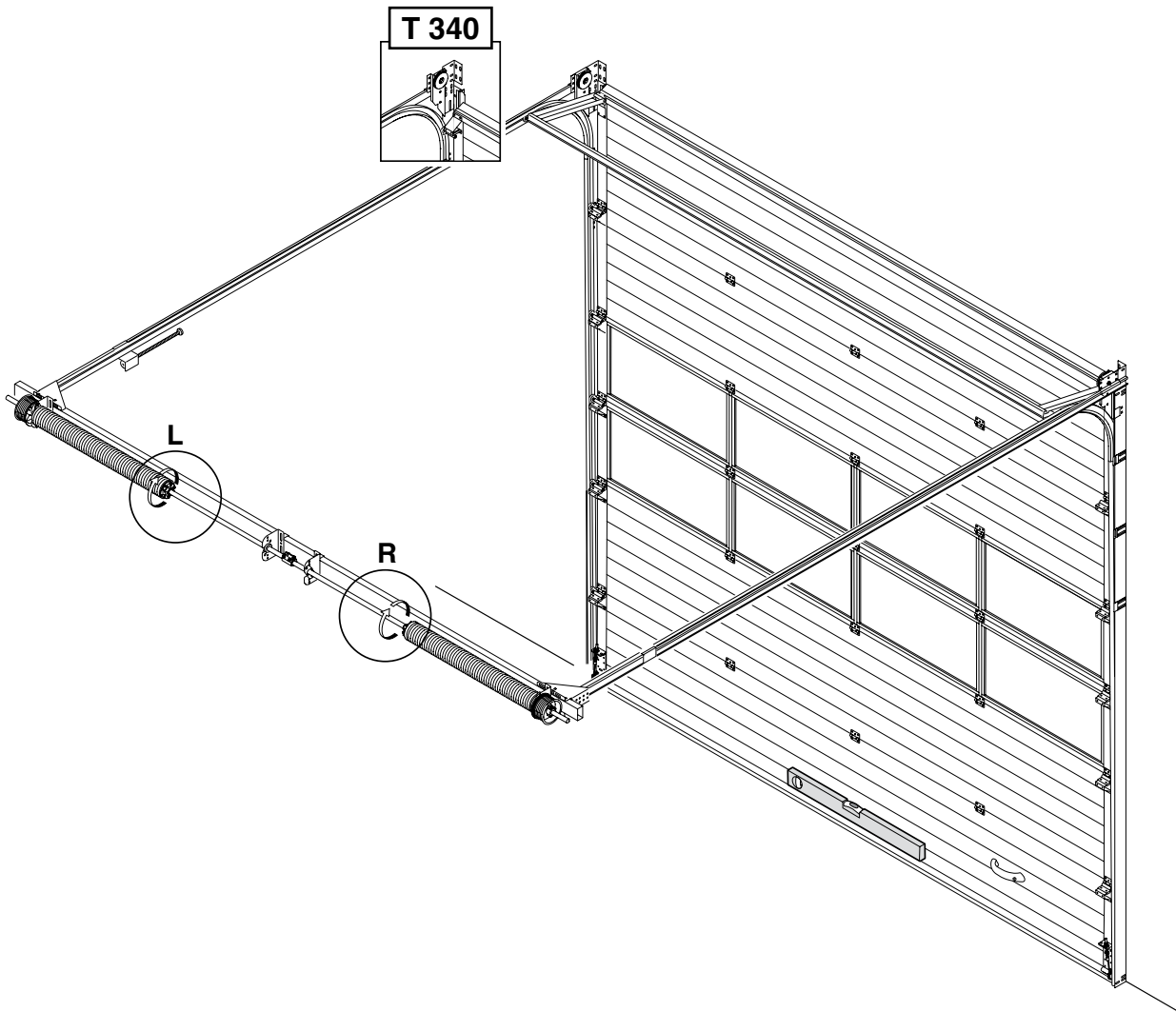
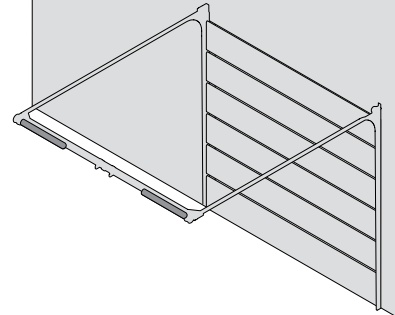
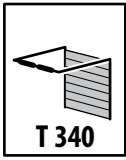
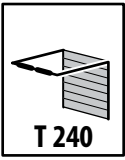


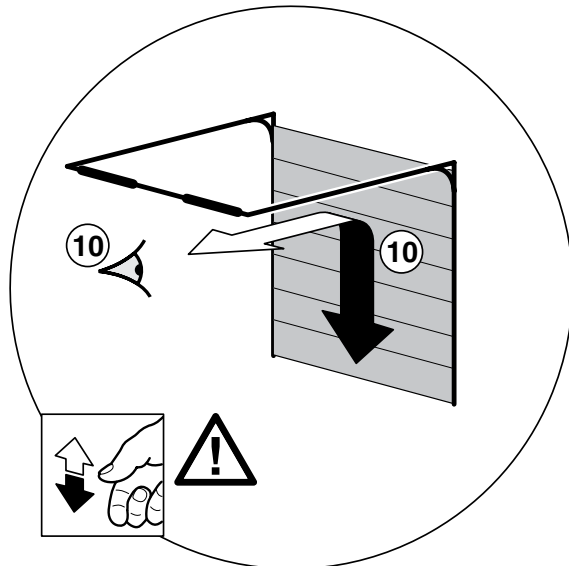
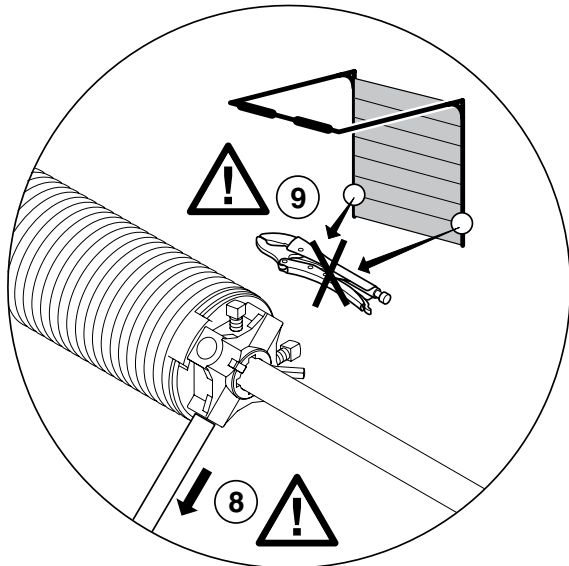
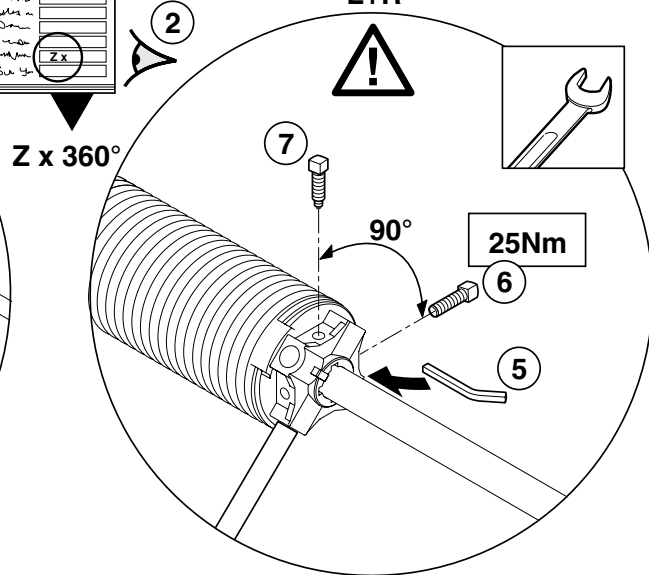
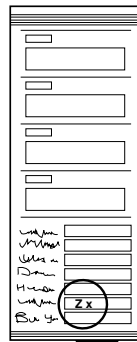
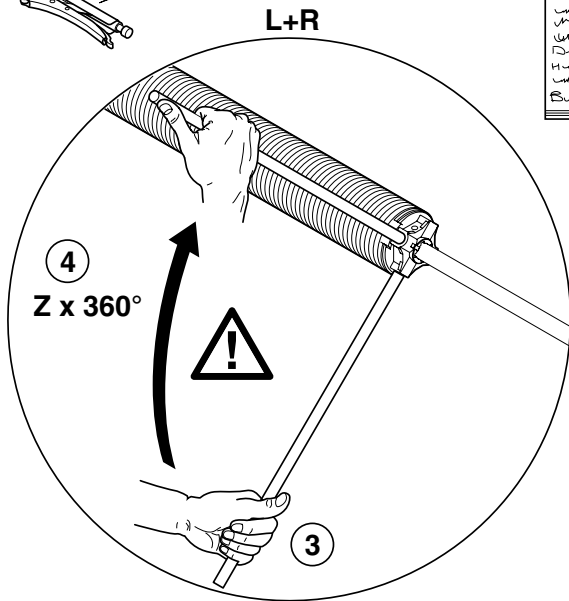
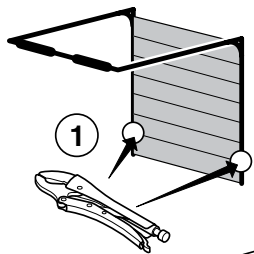
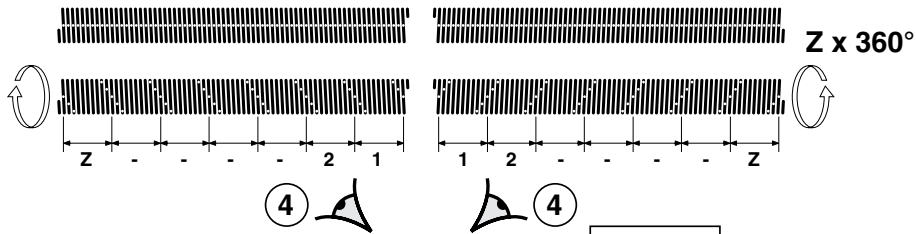
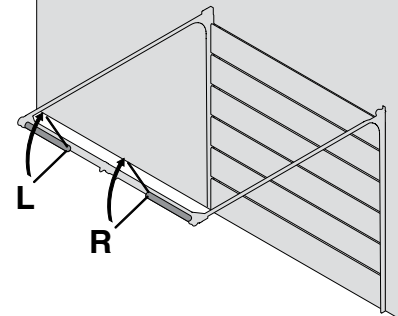
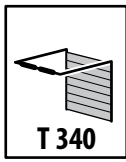
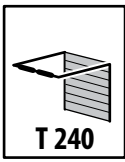
L+R

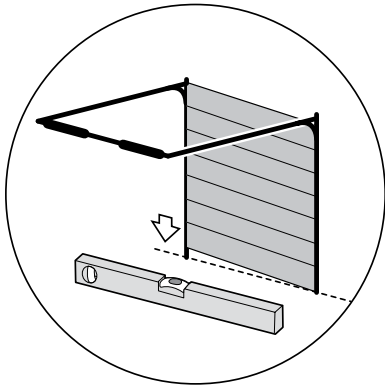
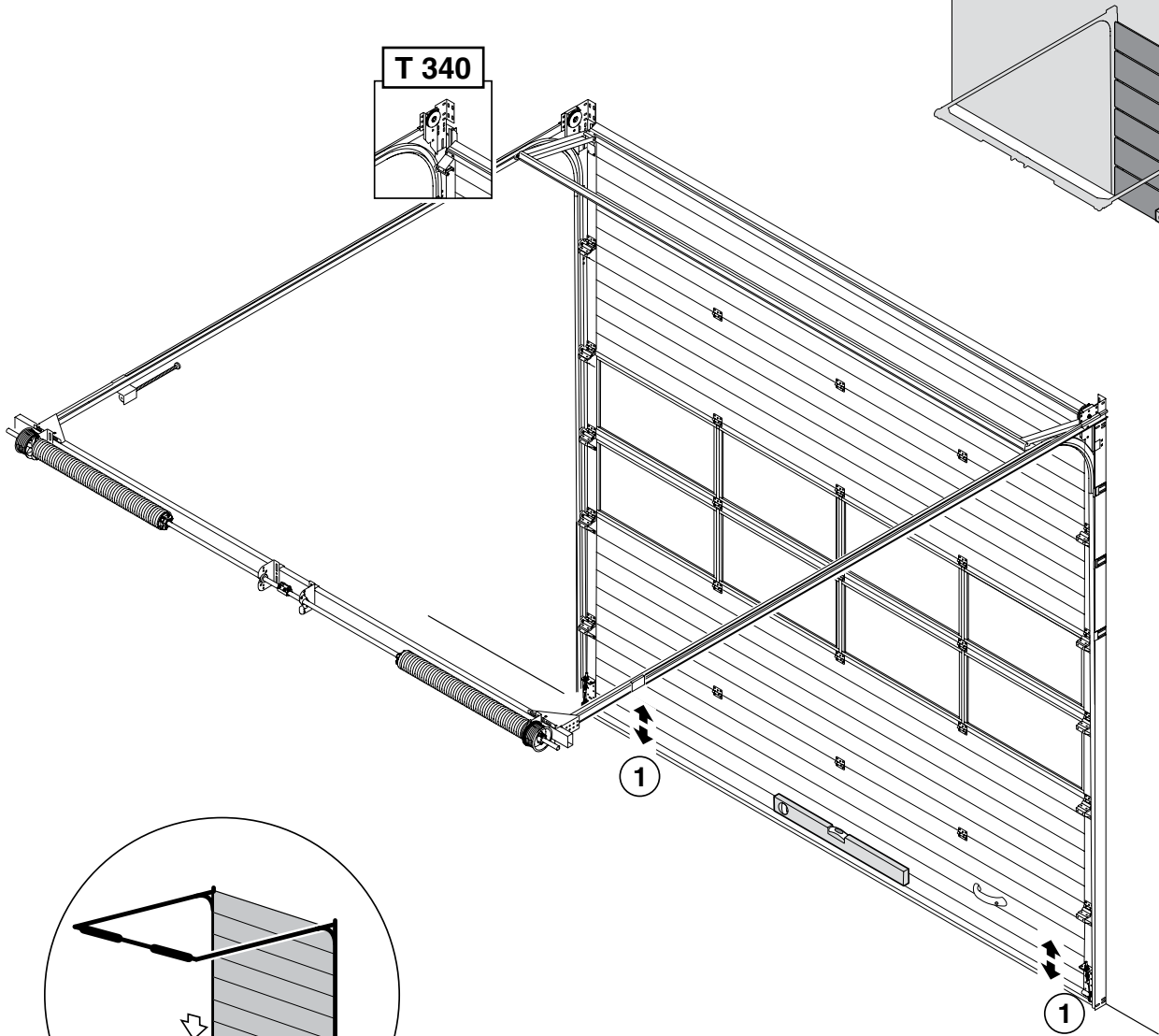
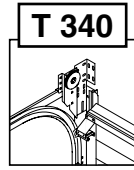
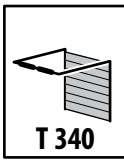
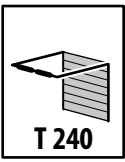


L+R

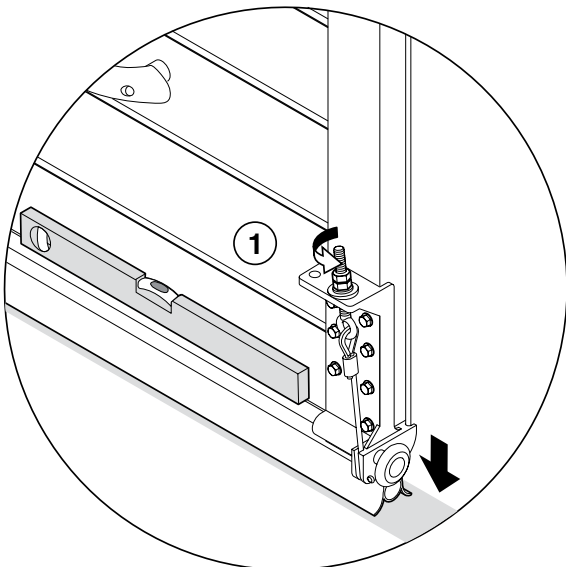




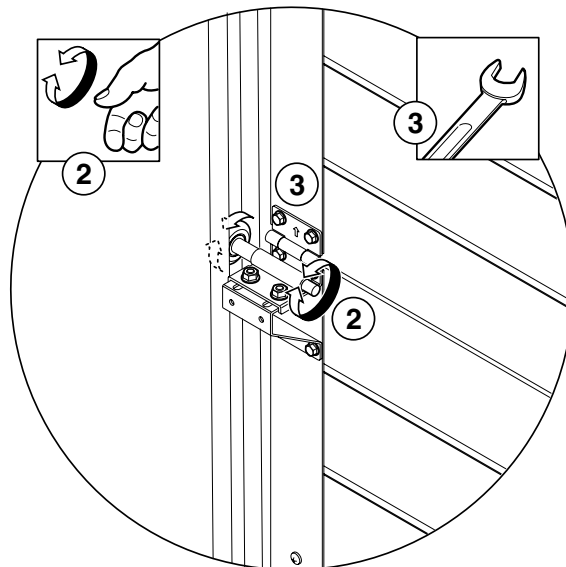


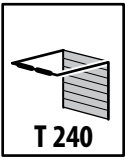


L+R

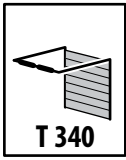


L+R

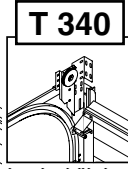
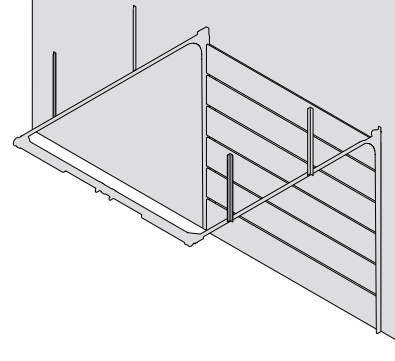




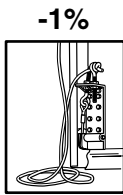
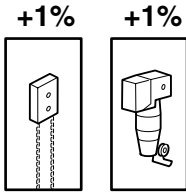
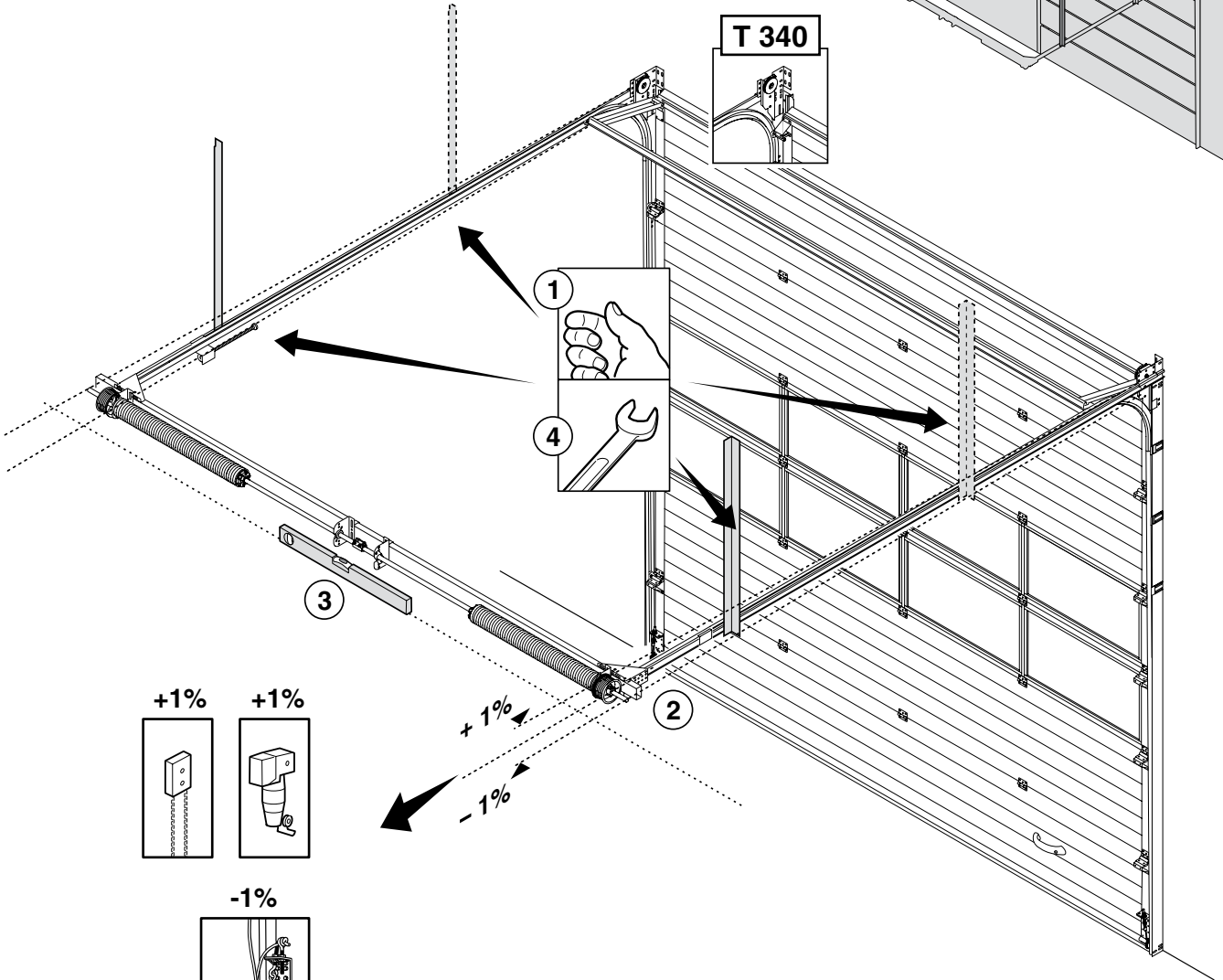
T 240



T 340

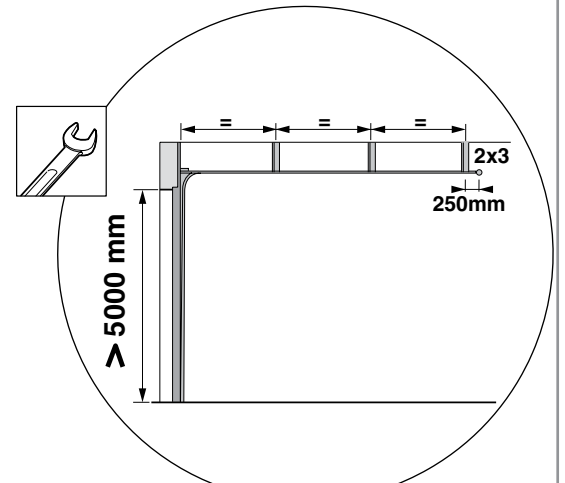
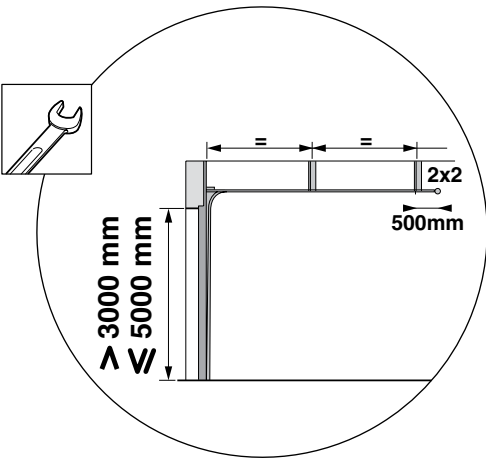
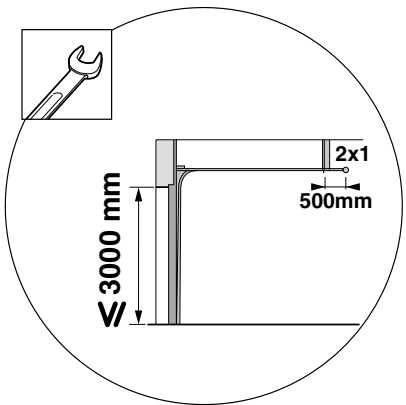


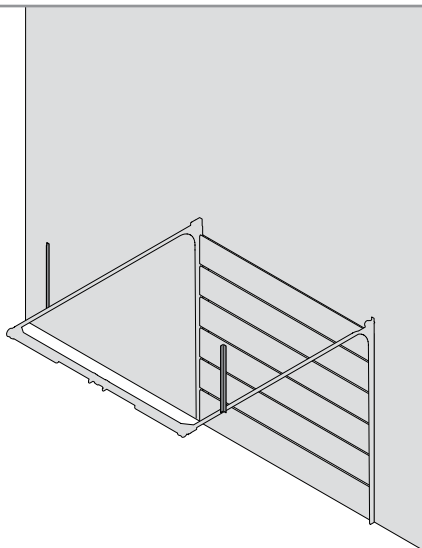
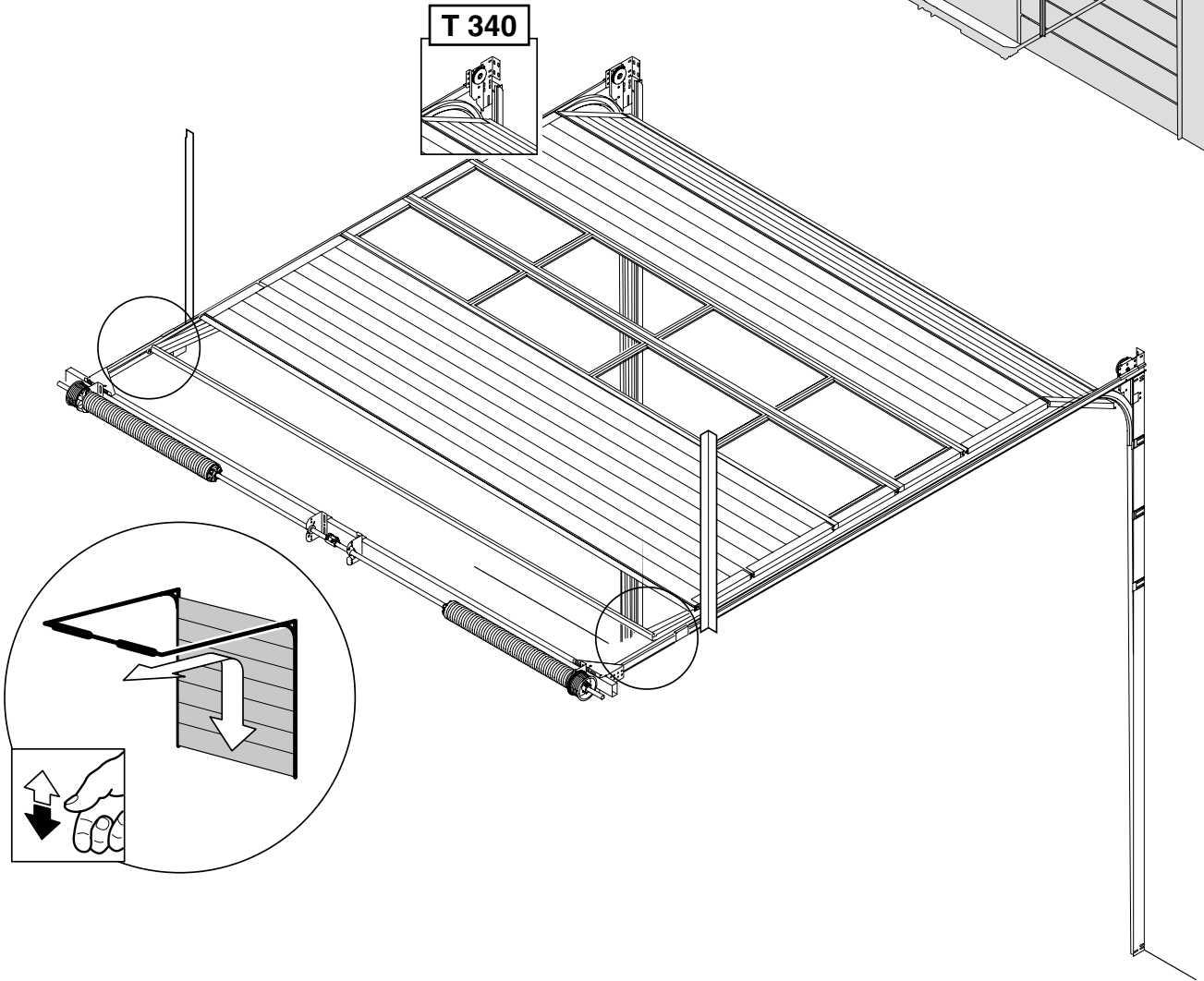
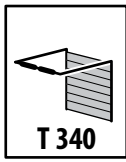
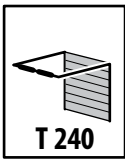
T 340

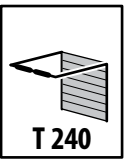


+1%

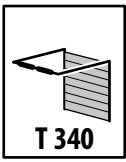
-1%



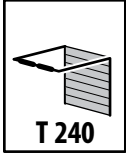




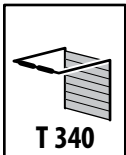
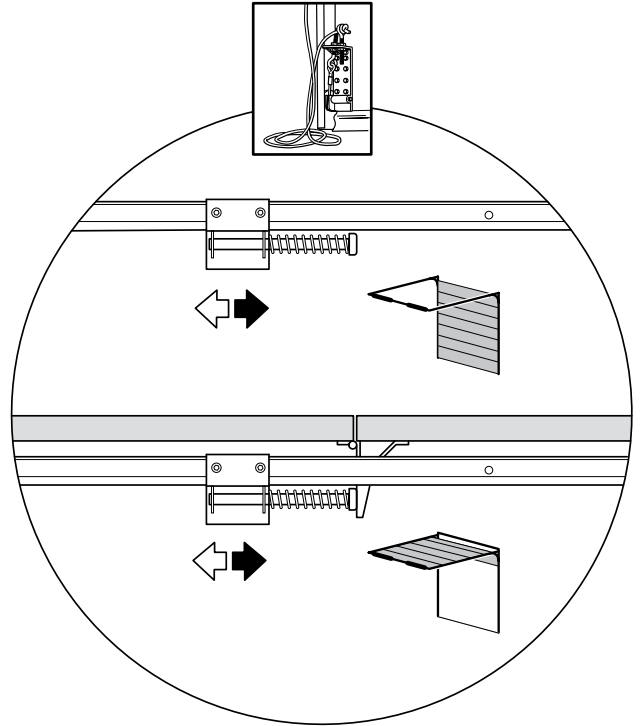
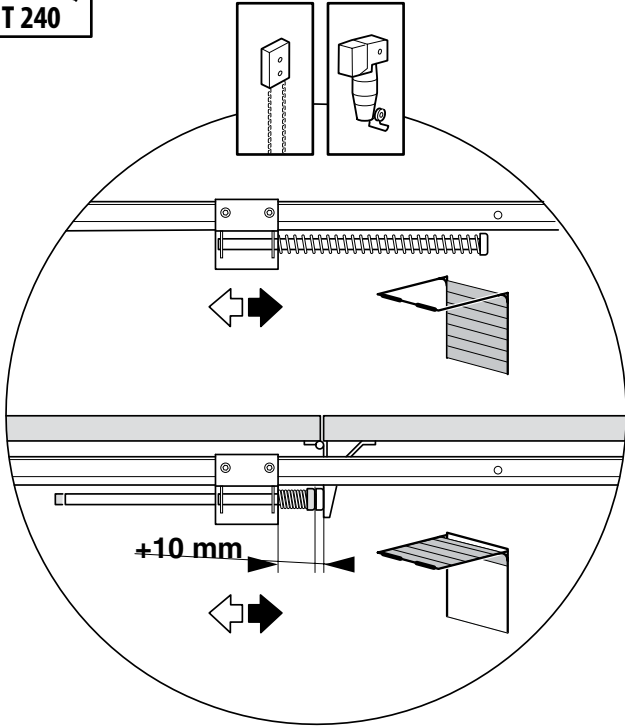
T 240



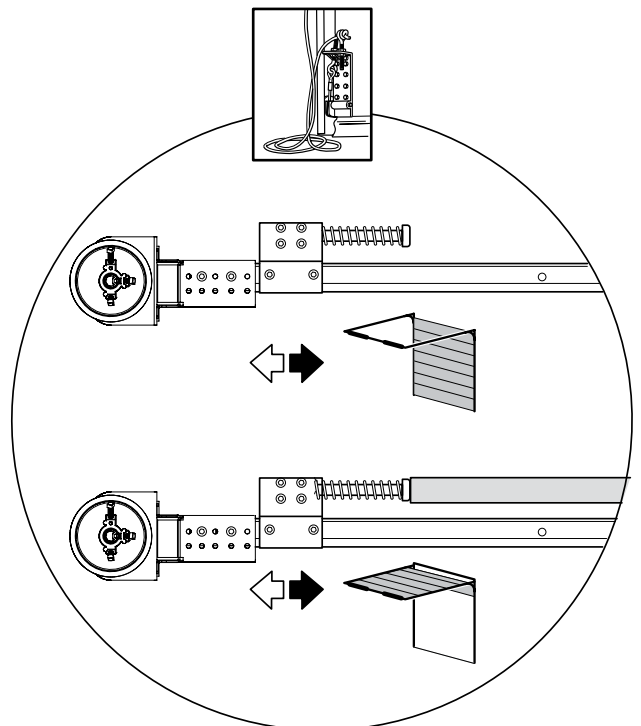
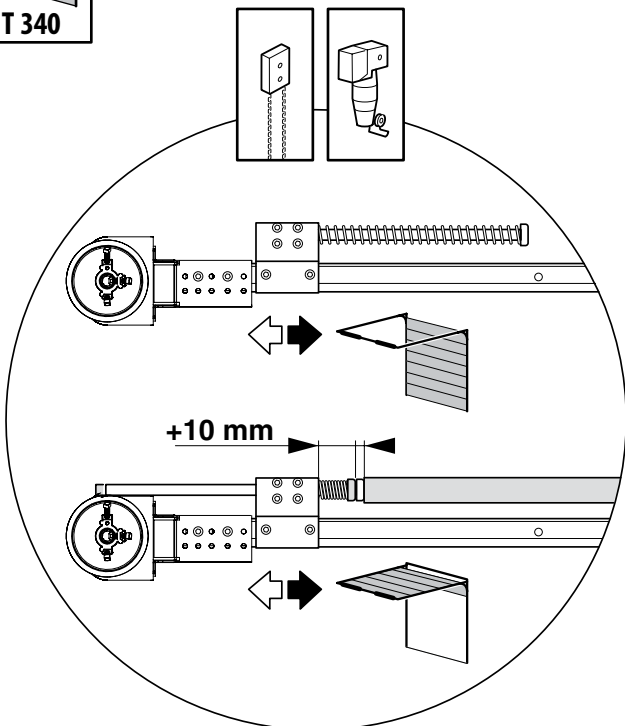
T 340

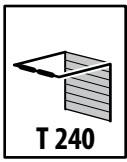


T 240

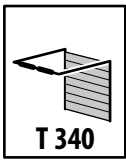


T 340

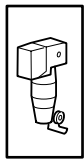
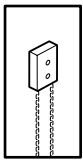




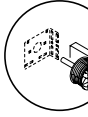
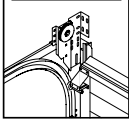
T 240



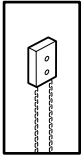
T 340



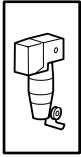
T 340



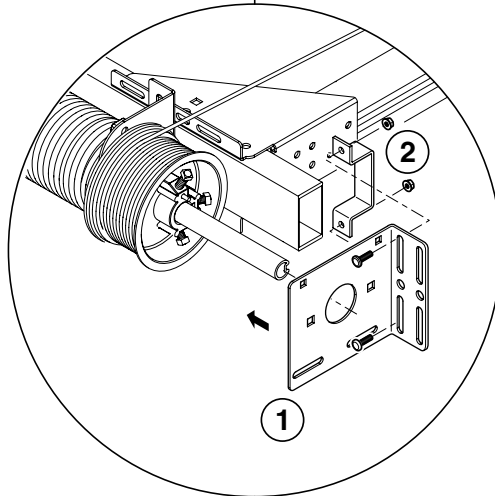
450-11-01



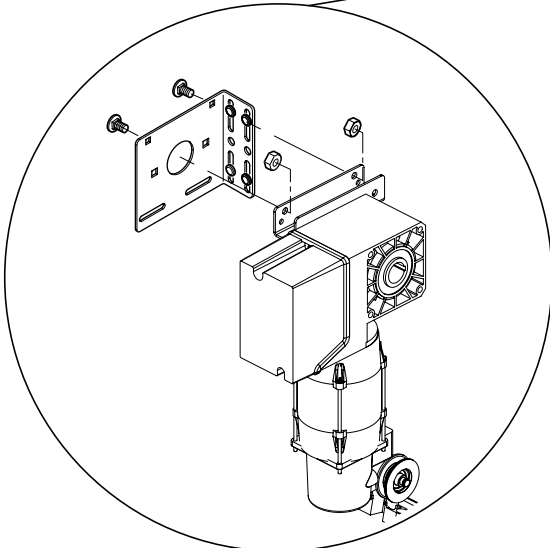
450-12-...



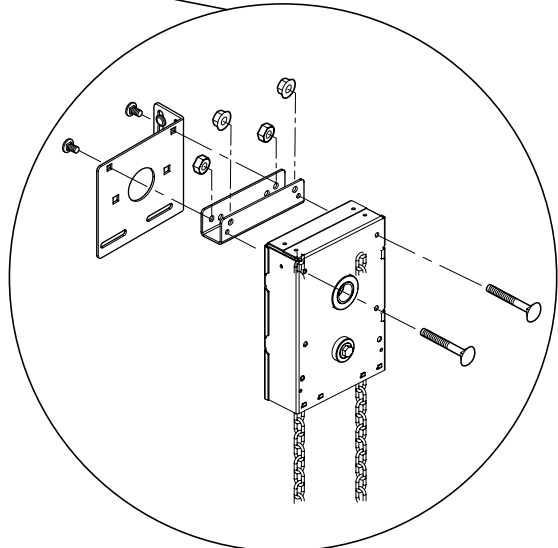
A B

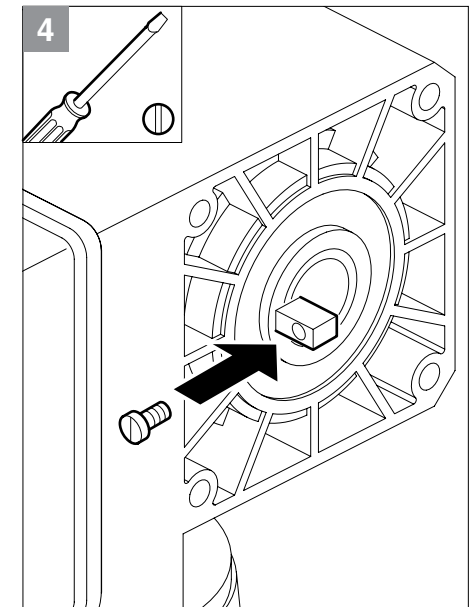
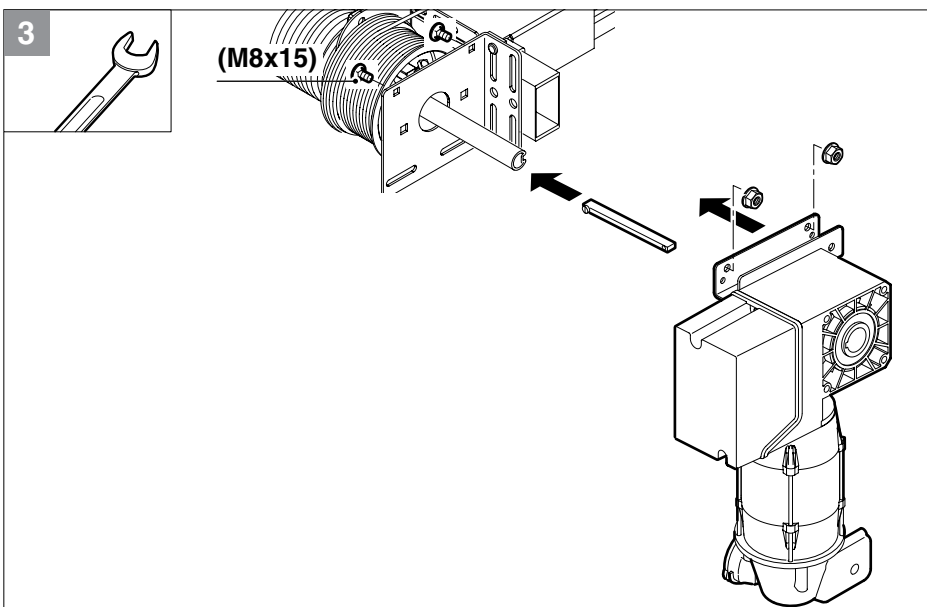
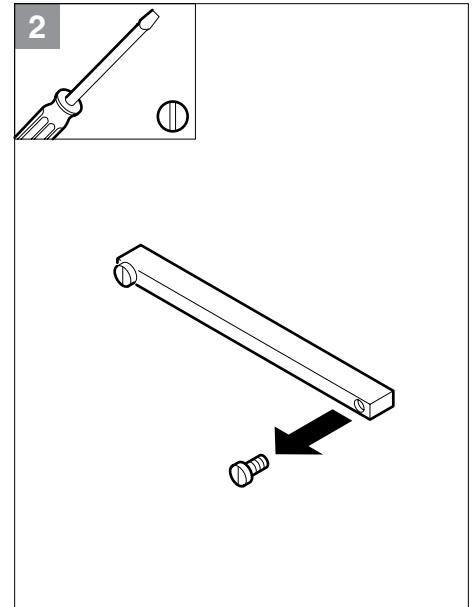
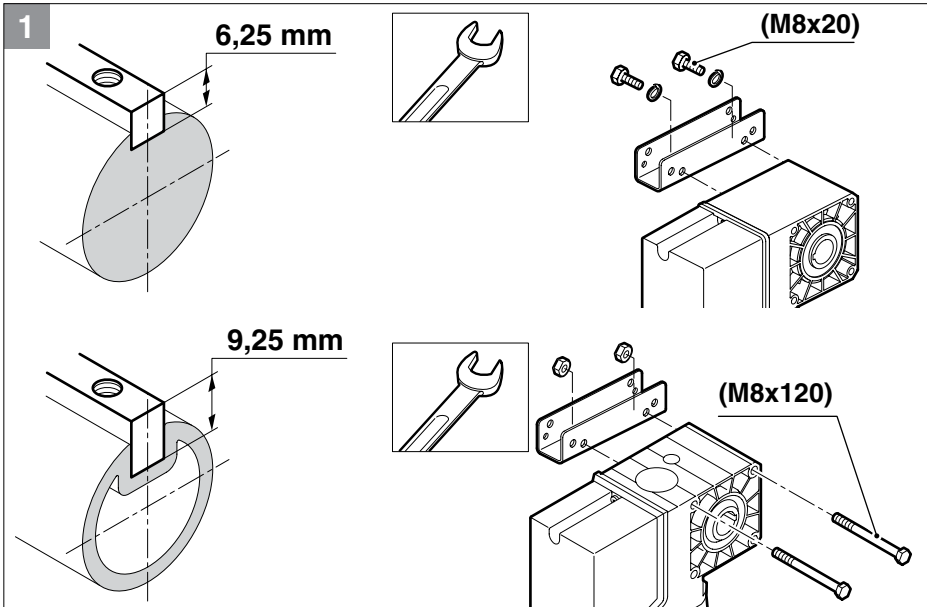
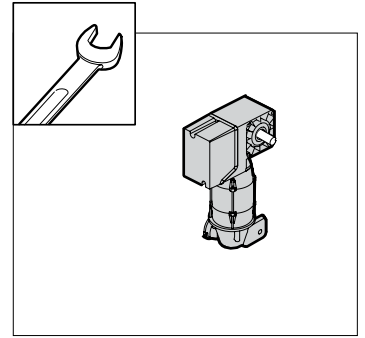
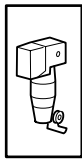
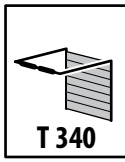
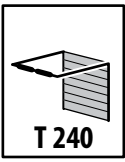


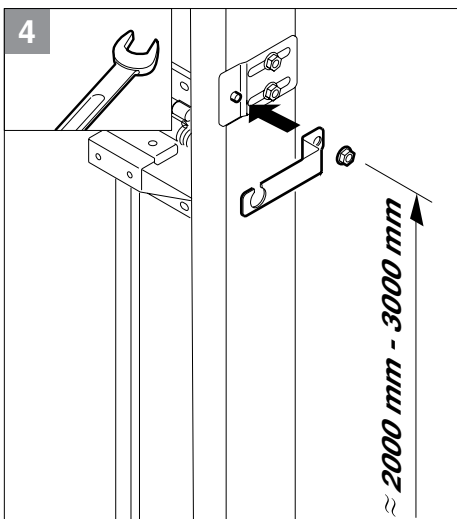
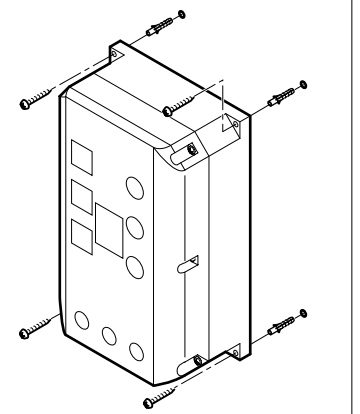
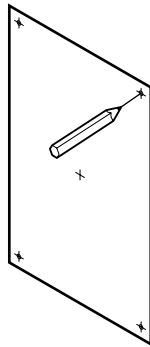
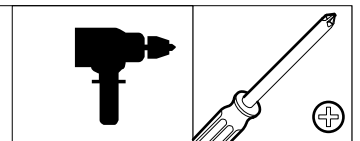
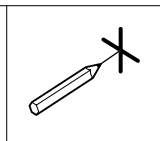
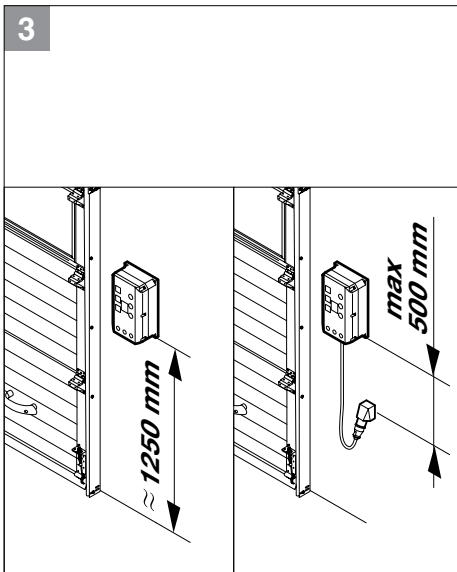
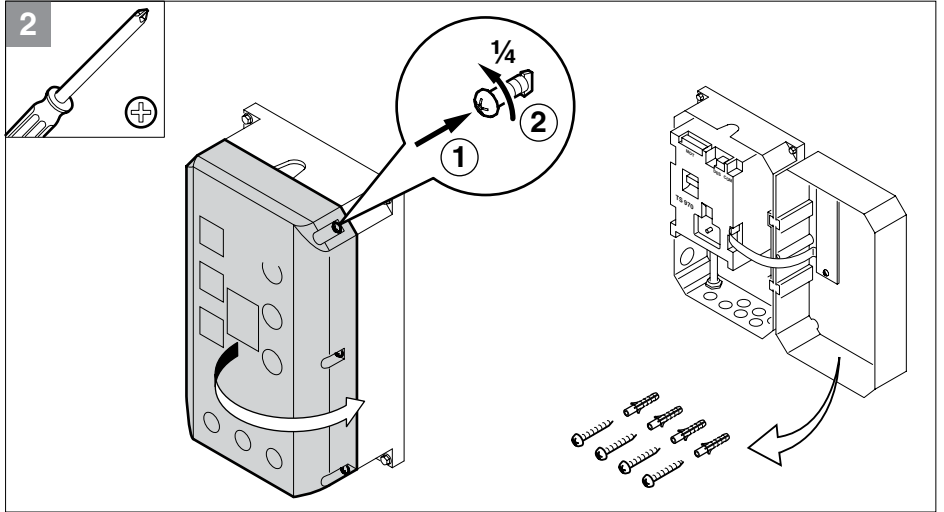
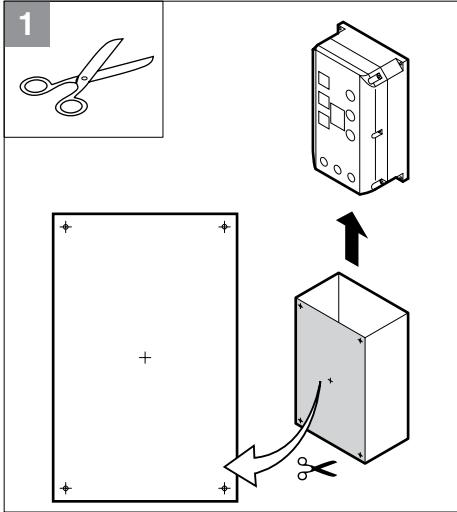
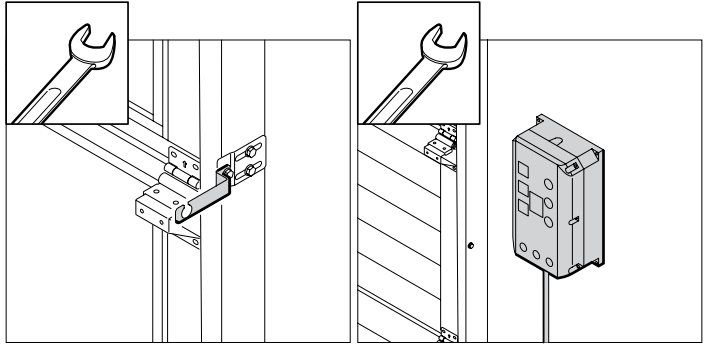
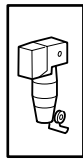
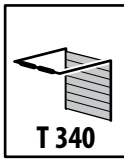
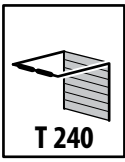
A

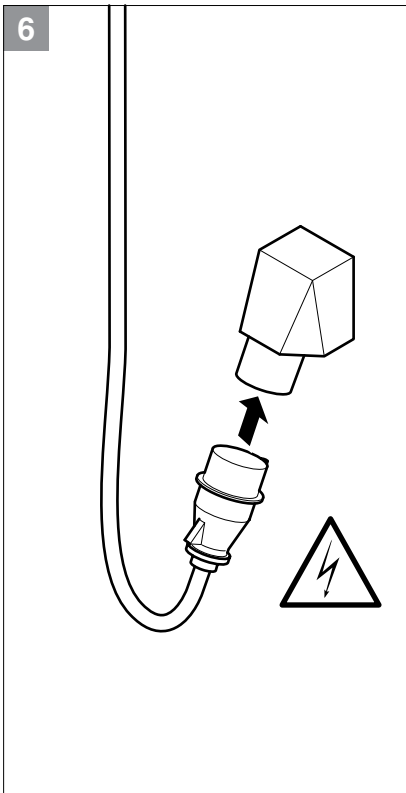
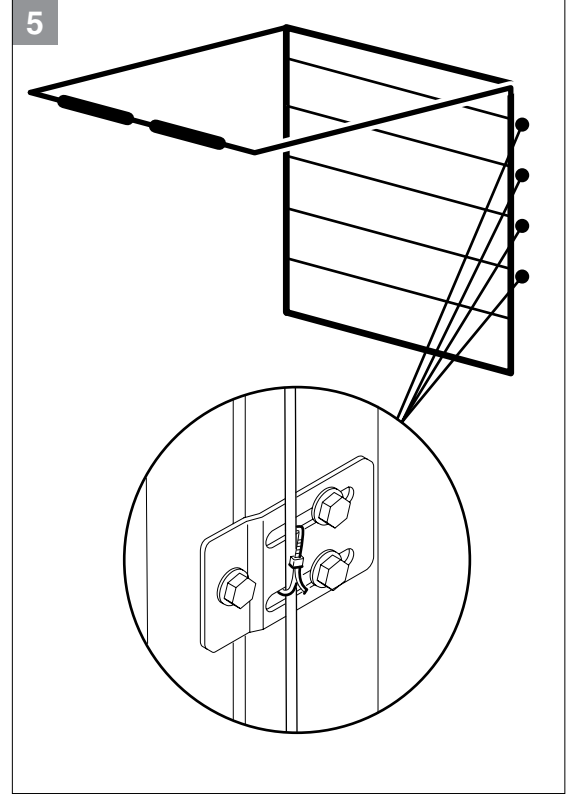
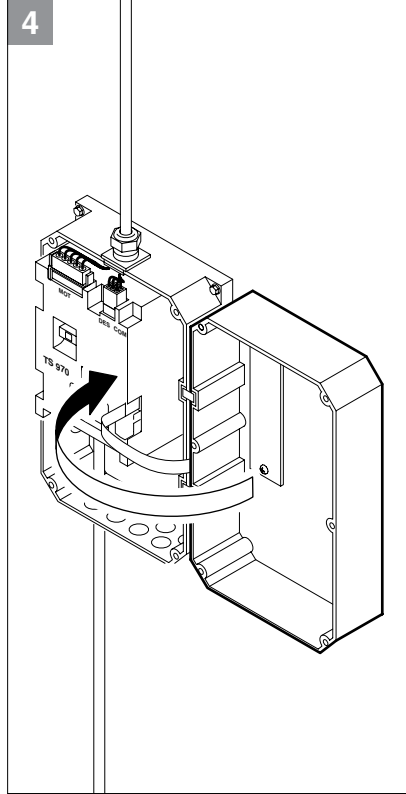
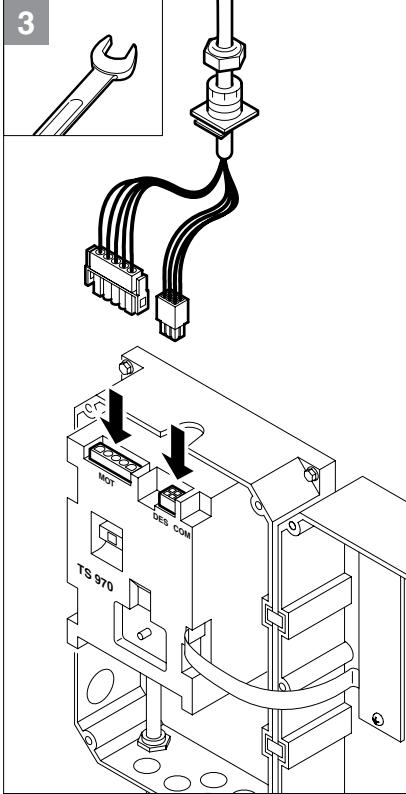
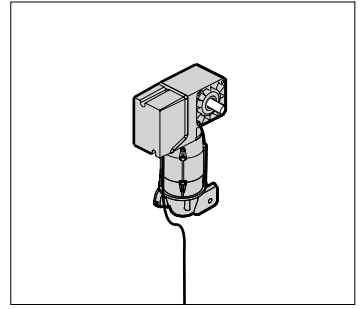
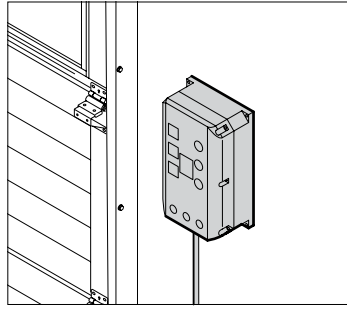
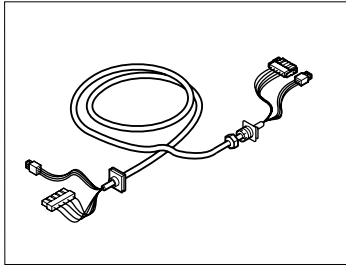
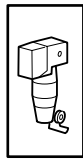
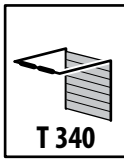
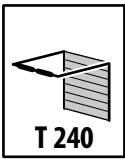


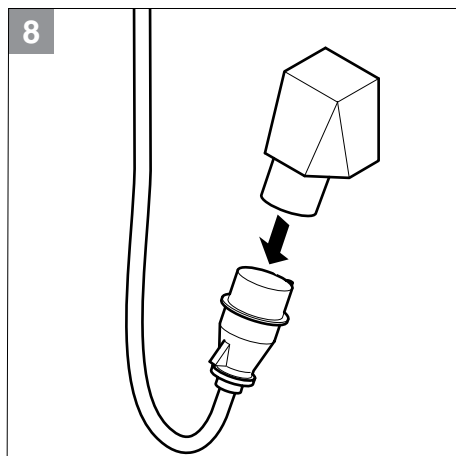
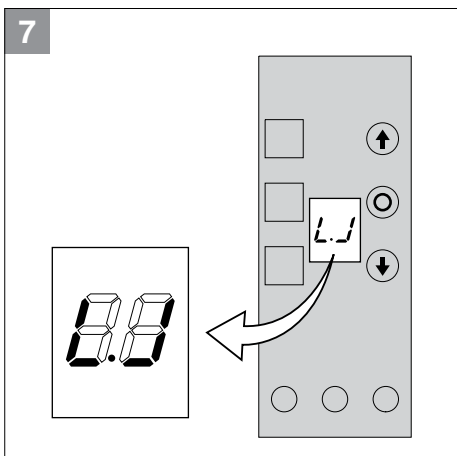
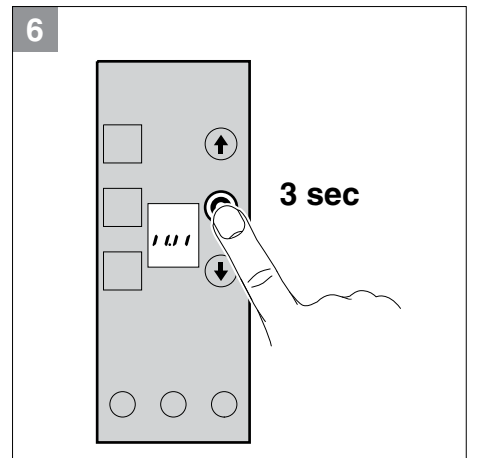
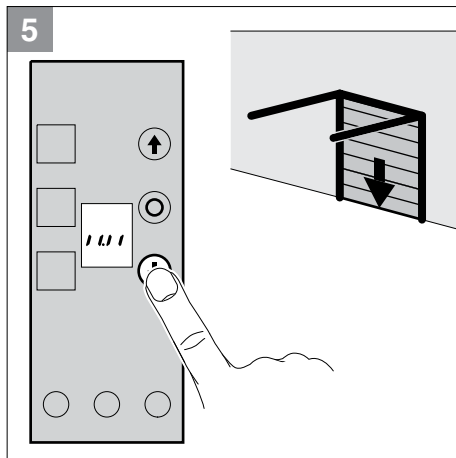
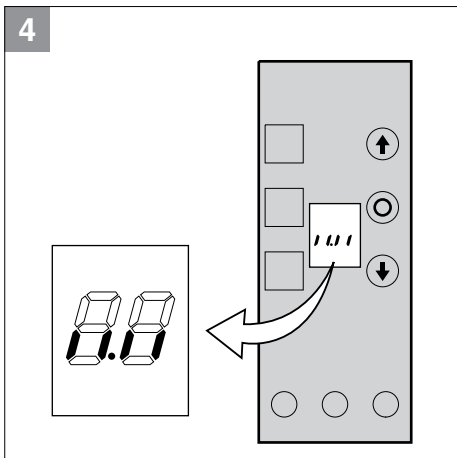
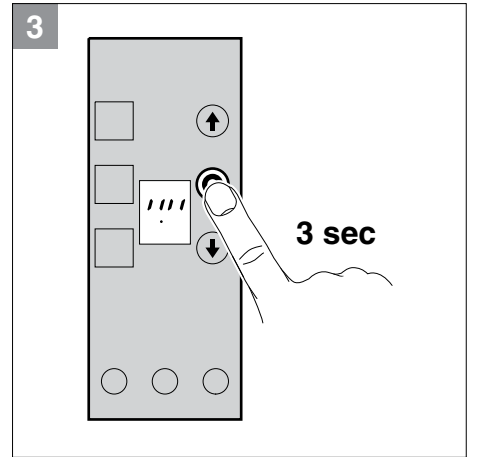
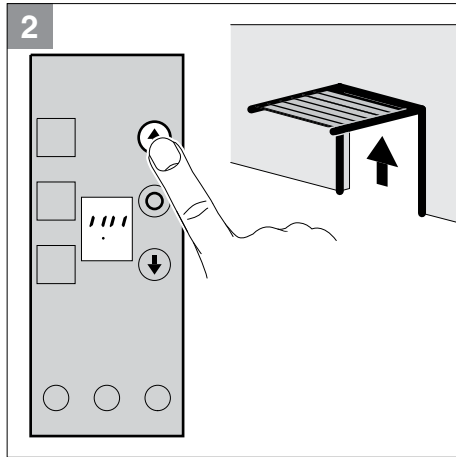
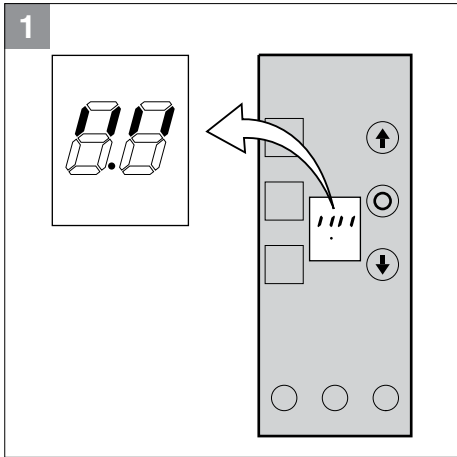
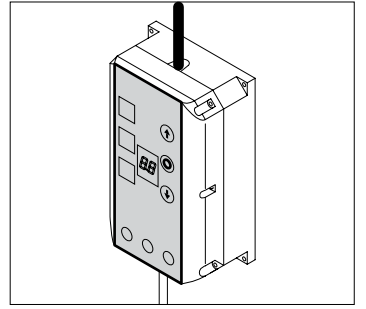
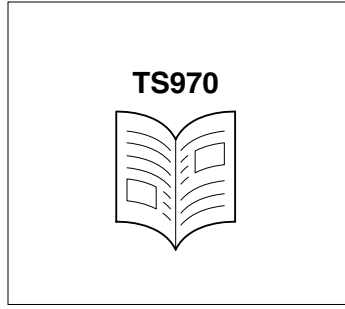
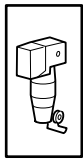
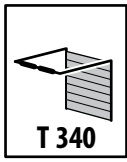
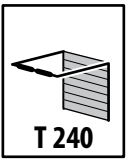
B

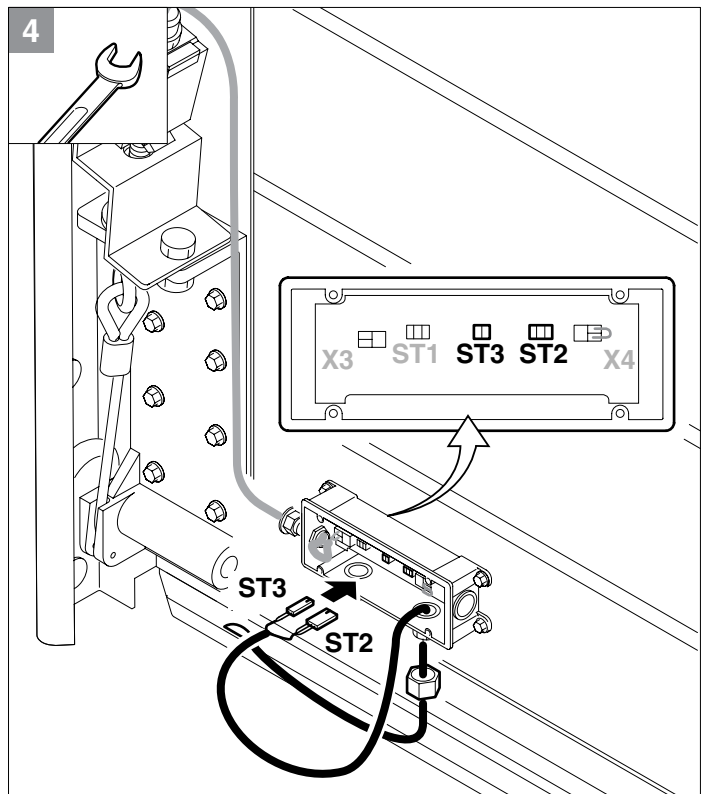
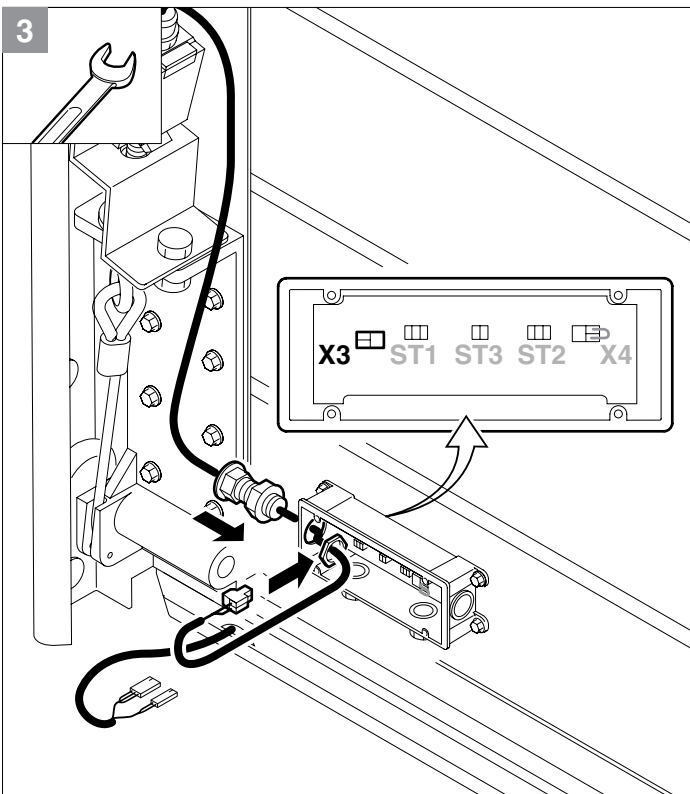
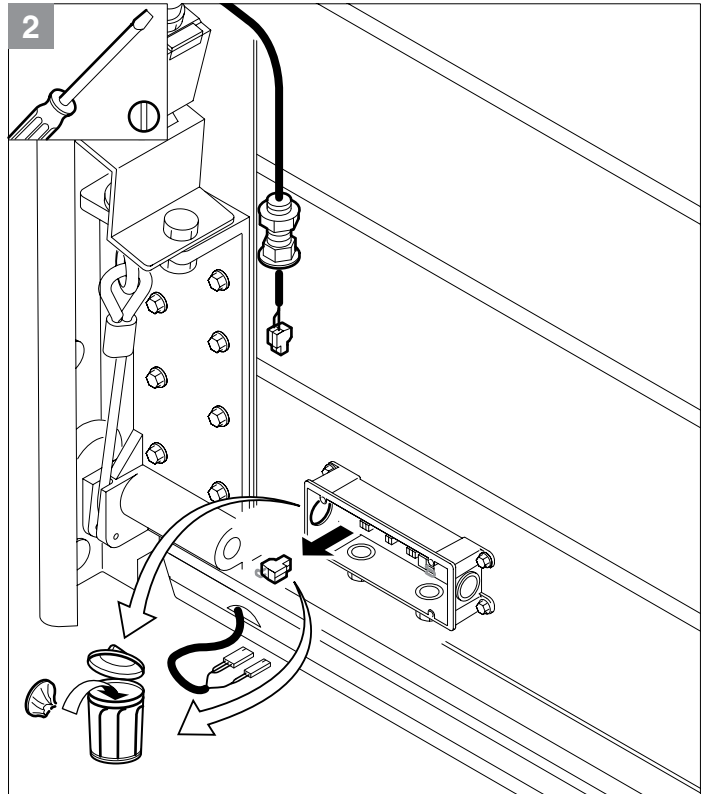
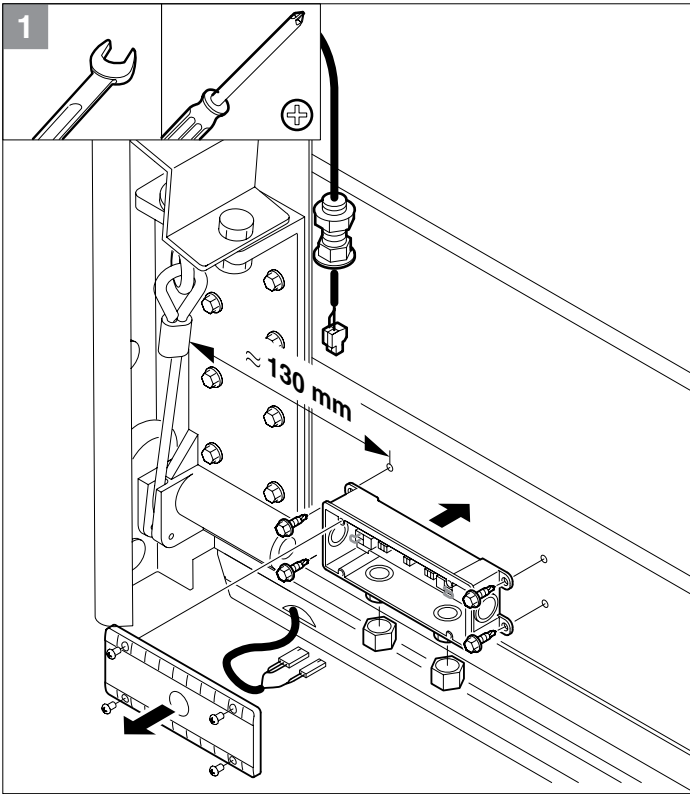
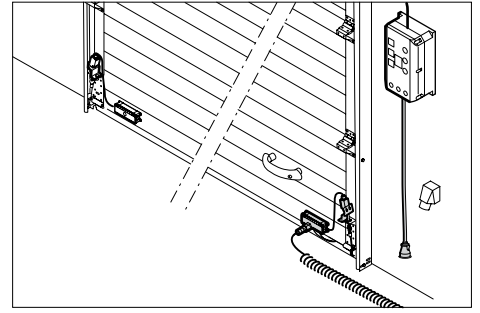
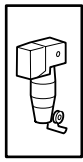
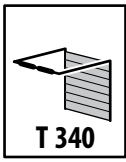
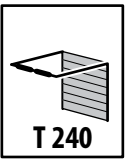


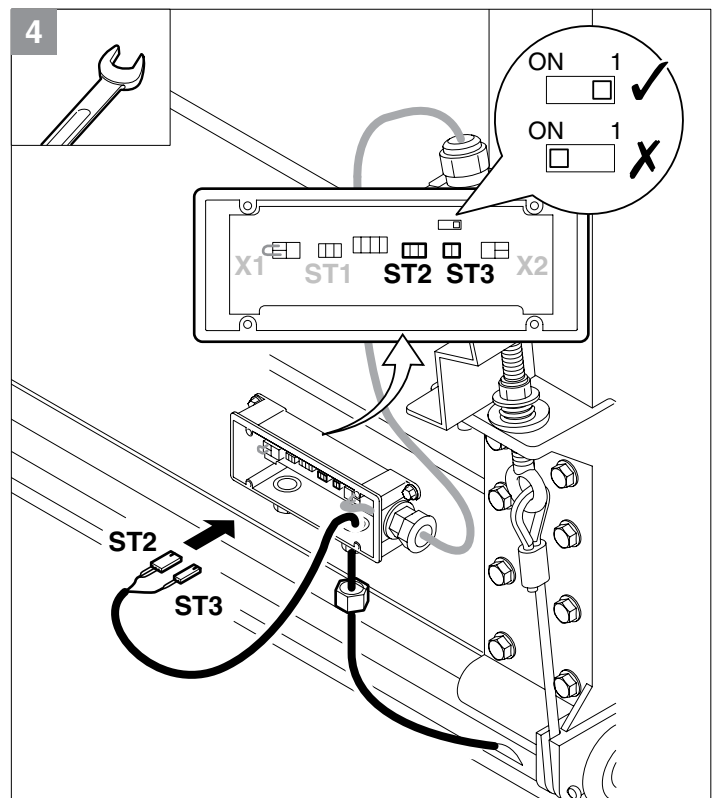
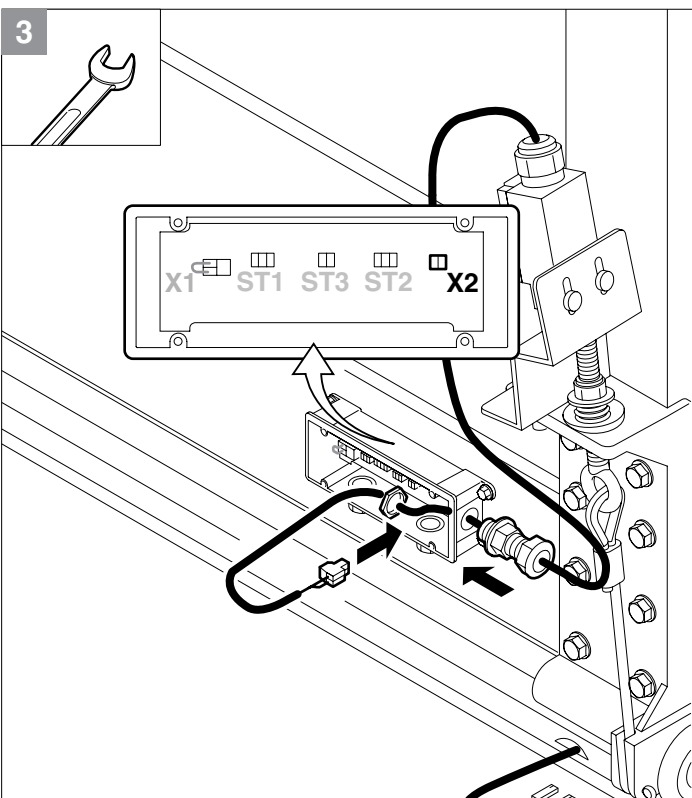
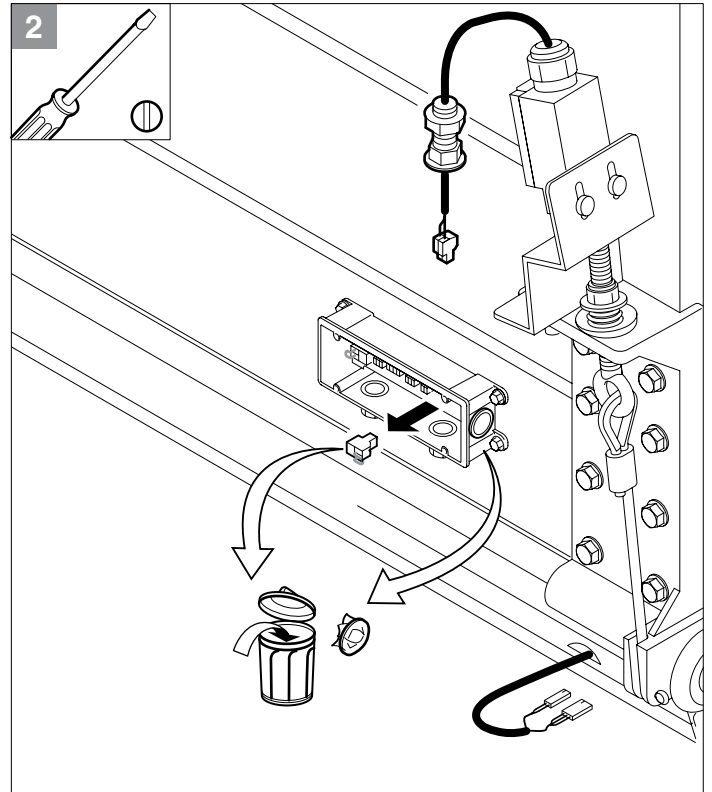
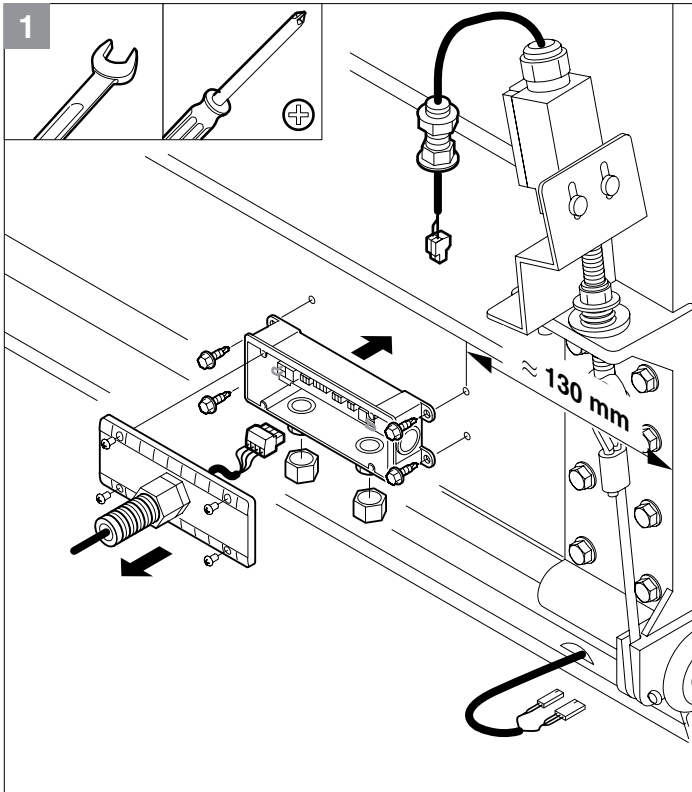
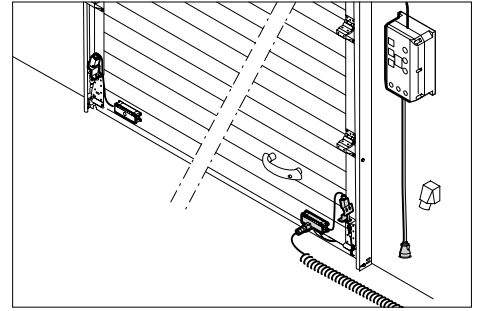
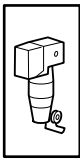
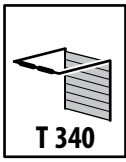
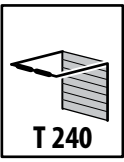


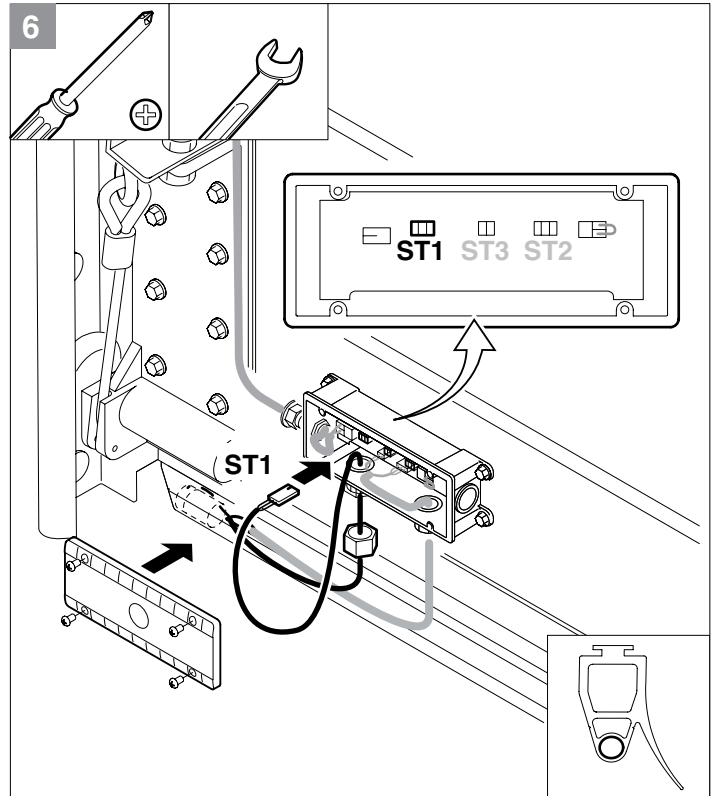
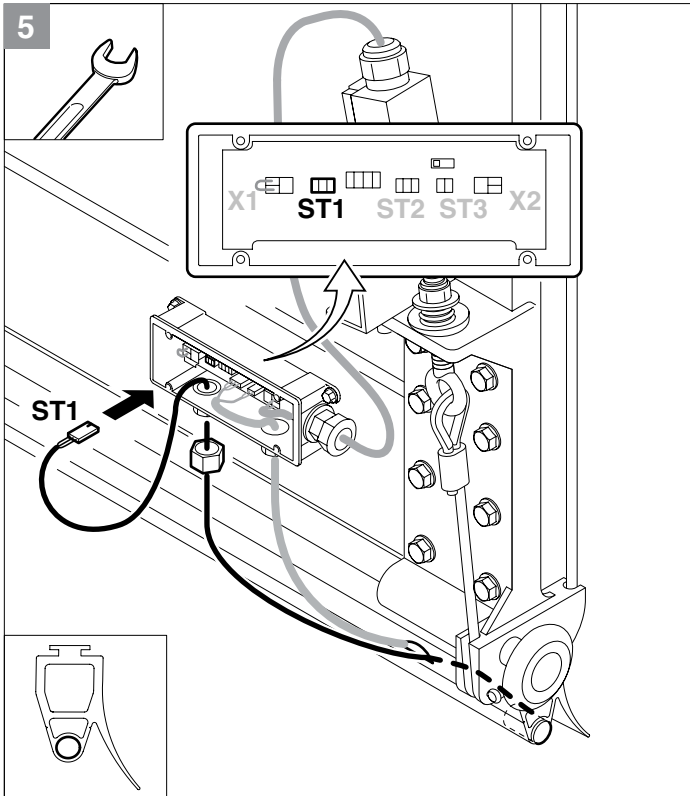
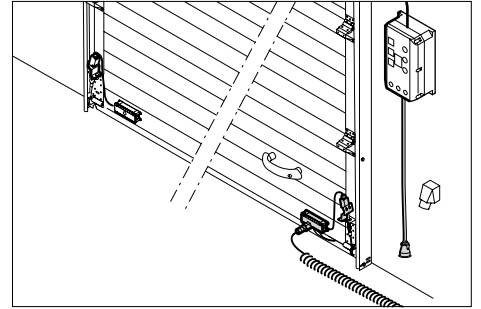
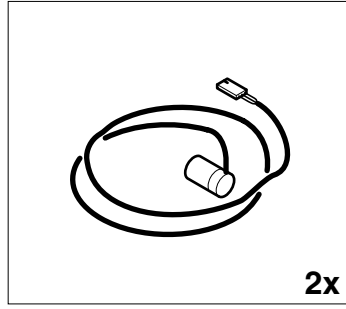
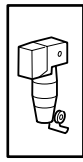
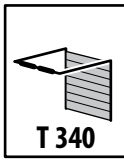
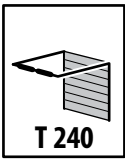


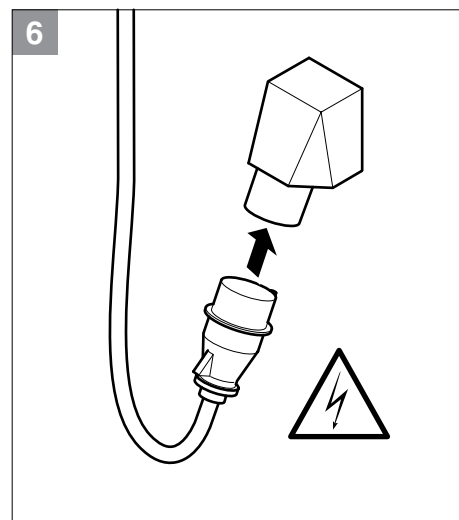
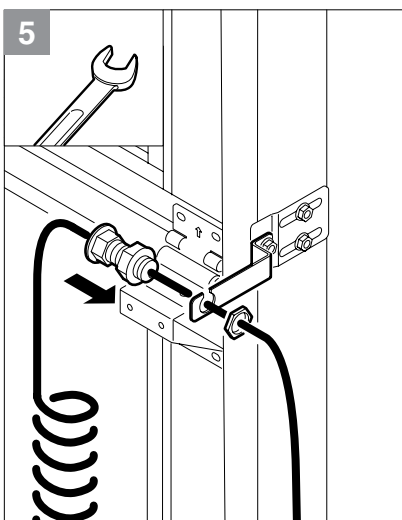
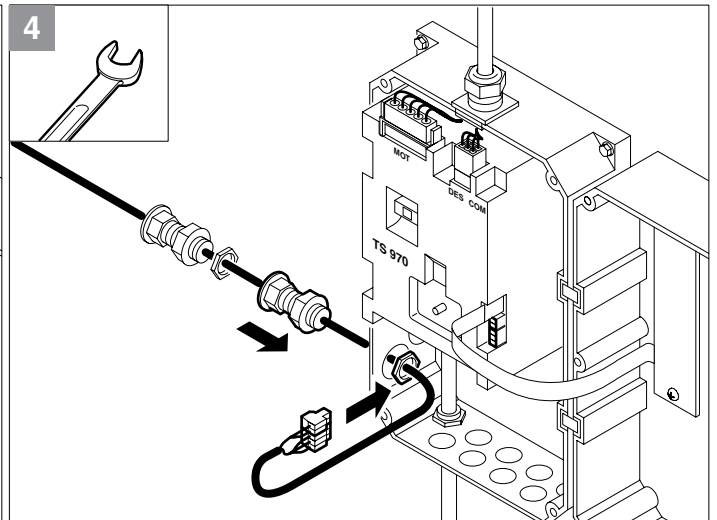
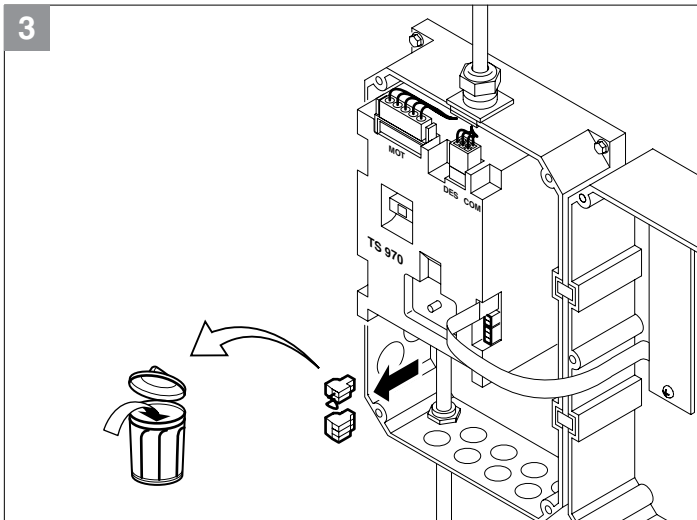
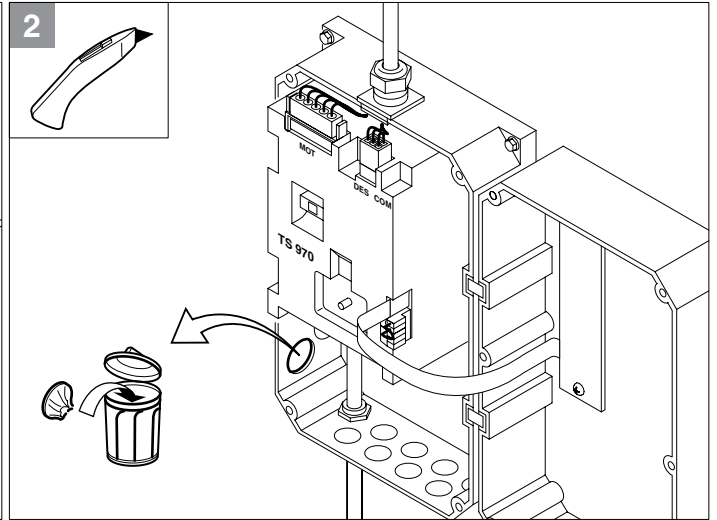
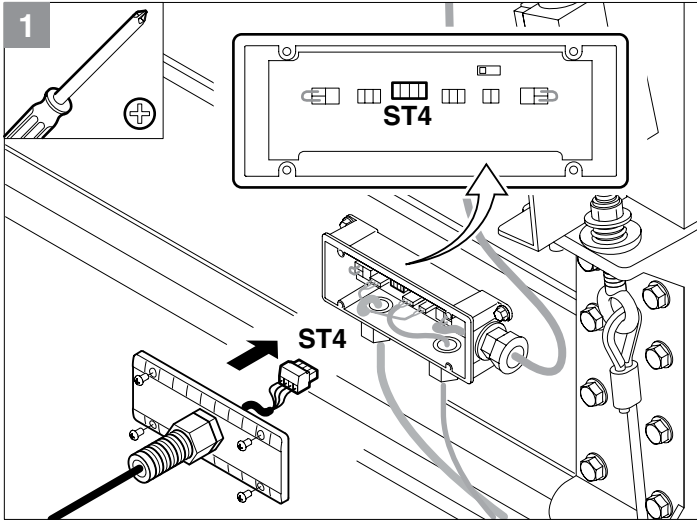
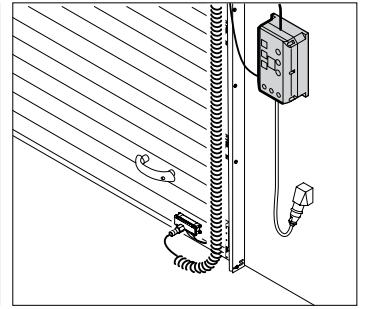
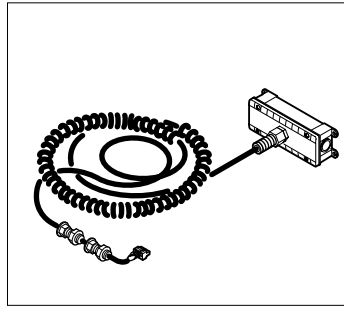
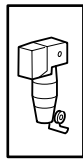
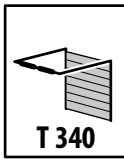
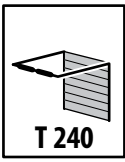


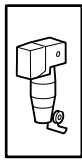
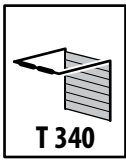
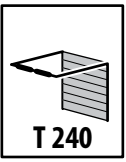












TS970

